

A

B

C

D

E

F

1

2

3

4

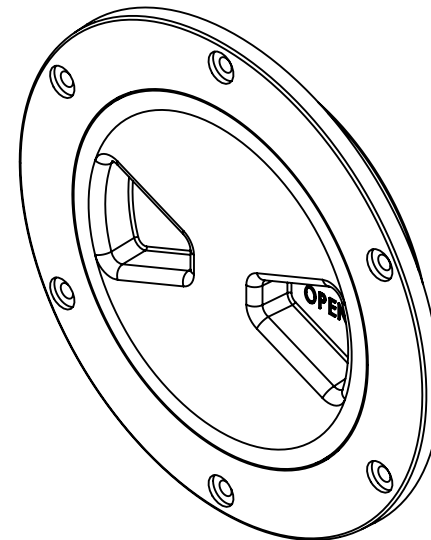
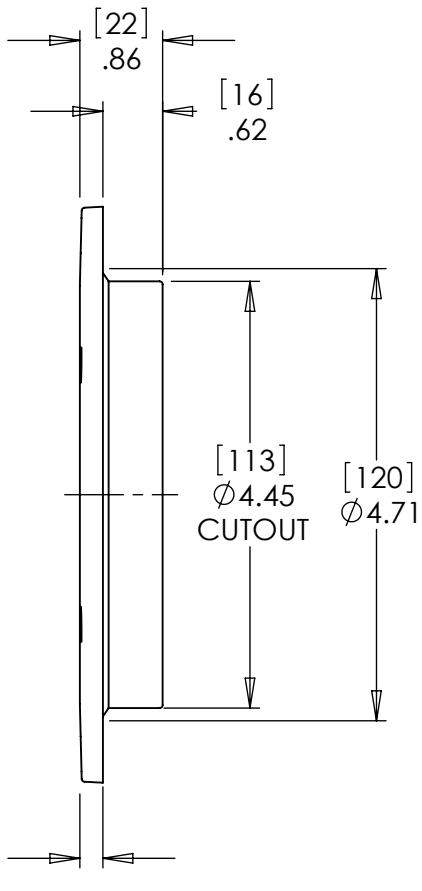
[5]
Ø.18 THRU
C-BORE Ø<DIM>▽.08

[137]
Ø5.40

[152]
Ø6.00

OPEN

[105]
Ø4.13
INTERNAL PORT
OPENING



1

2

3

4

NOTES:

- 1. - ALL DIMENSIONS ARE IN INCHES [MILLIMETERS]
- 2. - MATERIAL: PLASTIC
- 3. - FINISH: TEXTURED BLACK

THE INFORMATION CONTAINED IN THIS DRAWING IS THE SOLE PROPERTY OF TRANS CONTINENTAL HARDWARE. ANY REPRODUCTION IN PART OR AS A WHOLE WITHOUT THE WRITTEN PERMISSION OF TRANS CONTINENTAL HARDWARE IS PROHIBITED.



TRANS CONTINENTAL HARDWARE

PART NAME **4" DIA. ACCESS PORT**

MATERIAL **PLASTIC**

DRAWING NO. **506-4001900-CUST** REVISION NO.

DATE **8/11/2008** SCALE **1:2** THIRD ANGLE PROJECTION DRAWING

ALL DIMENSIONS WITHOUT TOLERANCES ARE REFERENCE

SPECIFICATION SUBJECT TO CHANGE WITHOUT NOTICE

A

A

B

C

D

E

F