

A

B

C

D

E

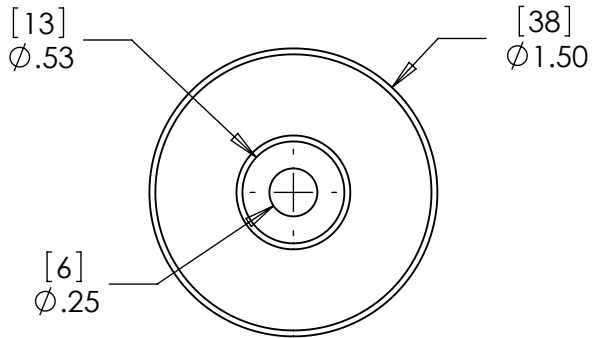
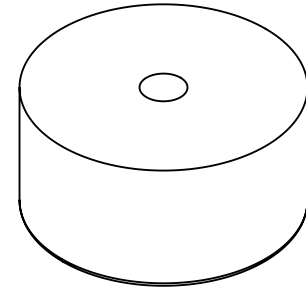
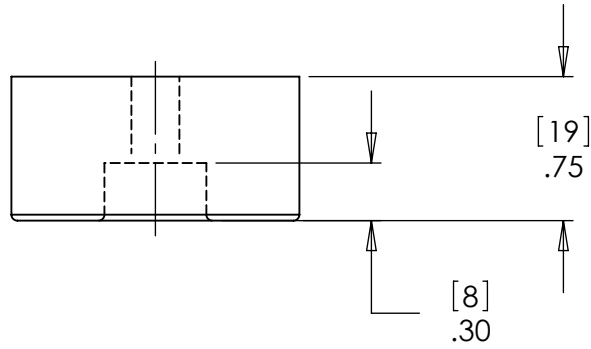
F

1

2

3

4



NOTES:

- 1. - ALL DIMENSIONS ARE IN INCHES [MILLIMETERS]
- 2. - MATERIAL: Natural Rubber
- 3. - FINISH: SMOOTH, BLACK

THE INFORMATION CONTAINED IN THIS DRAWING IS THE SOLE PROPERTY OF TRANS CONTINENTAL HARDWARE. ANY REPRODUCTION IN PART OR AS A WHOLE WITHOUT THE WRITTEN PERMISSION OF TRANS CONTINENTAL HARDWARE IS PROHIBITED.



TRANS CONTINENTAL HARDWARE

PART NAME **MEDIUM RUBBER FOOT**

MATERIAL Natural Rubber

DRAWING NO. **503-1606900-CUST** REVISION NO.

DATE 7/10/2006 SCALE 1:1 THIRD ANGLE PROJECTION DRAWING

ALL DIMENSIONS WITHOUT TOLERANCES ARE REFERENCE SPECIFICATION SUBJECT TO CHANGE WITHOUT NOTICE

**B**

A

B

C

D

E

F