

A B C D E F

1

2

3

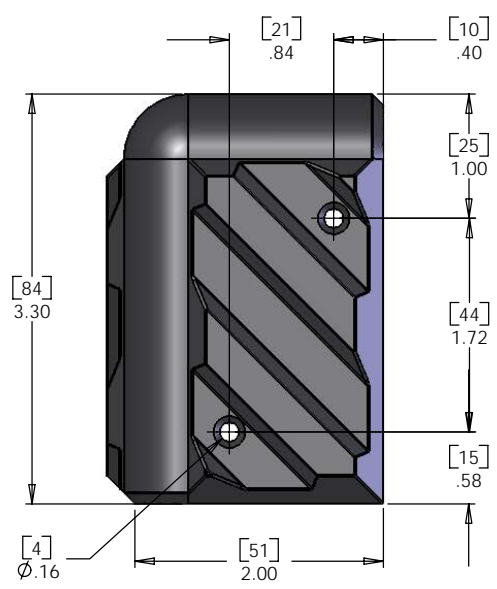
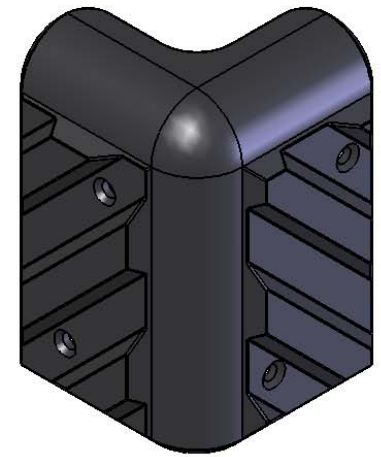
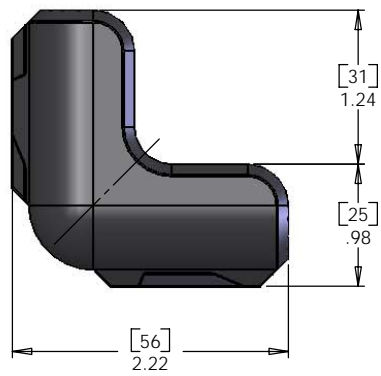
4

1


2

3

4



- NOTES:
 1. - ALL DIMENSIONS ARE IN INCHES
 2. - MATERIAL: PLASTIC
 3. - FINISH: BLACK

THE INFORMATION CONTAINED IN THIS DRAWING IS THE SOLE PROPERTY OF TRANS CONTINENTAL HARDWARE. ANY REPRODUCTION IN PART OR AS A WHOLE WITHOUT THE WRITTEN PERMISSION OF TRANS CONTINENTAL HARDWARE IS PROHIBITED.			
			
TRANS CONTINENTAL HARDWARE			
PART NAME LARGE STACKING CORNER			
MATERIAL PLASTIC			
DRAWING NO. 502-1400900 CUST		REVISION NO.	
DATE 7/10/2006	SCALE 1:1	THIRD ANGLE PROJECTION DRAWING	A
ALL DIMENSIONS WITHOUT TOLERANCES ARE REFERENCE			
SPECIFICATION SUBJECT TO CHANGE WITHOUT NOTICE			

A B C D E F