

A

B

C

D

E

F

1

1

[13]
.52

2

2

[167]
6.58

[5]
Ø.21

[24]
.95

3

3

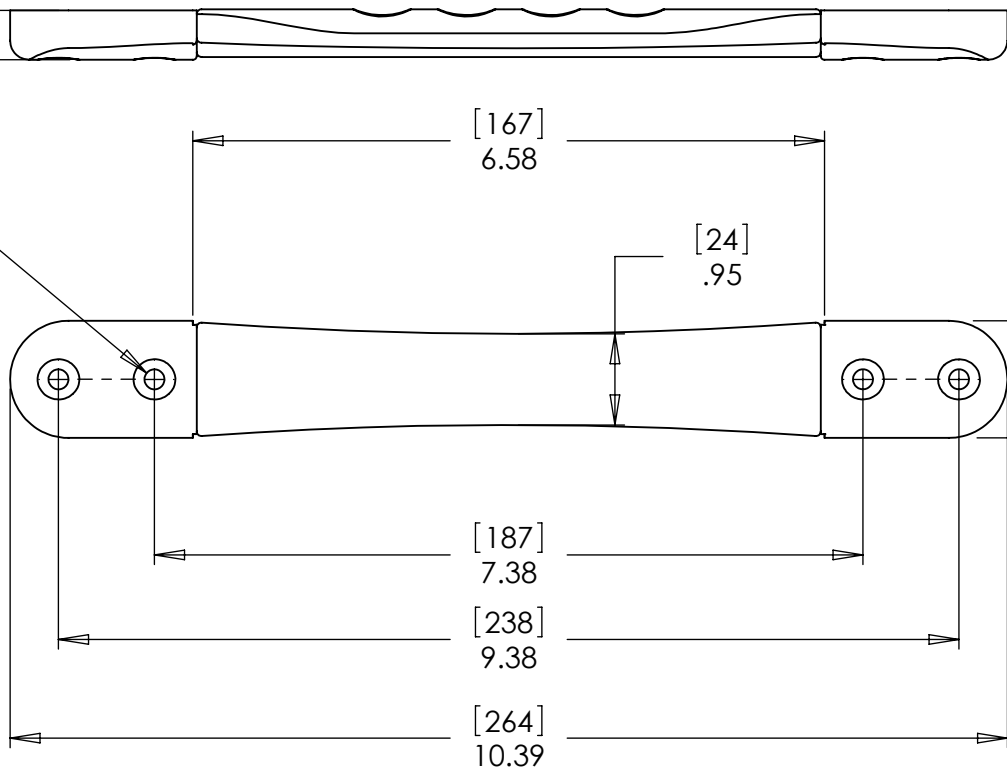
[31]
1.22

4

4

NOTES:

- 1. - ALL DIMENSIONS ARE IN INCHES [MILLIMETERS]
- 2. - MATERIAL: RUBBER / STEEL
- 3. - FINISH: BLACK



THE INFORMATION CONTAINED IN THIS DRAWING IS THE SOLE PROPERTY OF TRANS CONTINENTAL HARDWARE. ANY REPRODUCTION IN PART OR AS A WHOLE WITHOUT THE WRITTEN PERMISSION OF TRANS CONTINENTAL HARDWARE IS PROHIBITED.			
 TRANS CONTINENTAL HARDWARE			
PART NAME		CONTOUR STRAP HANDLE	
MATERIAL		RUBBER / STEEL	
DRAWING NO.		500-308900-CUST	
DATE	8/28/2007	SCALE	1:2
		THIRD ANGLE PROJECTION DRAWING	
ALL DIMENSIONS WITHOUT TOLERANCES ARE REFERENCE			
SPECIFICATION SUBJECT TO CHANGE WITHOUT NOTICE			
			B

A

B

C

D

E

F