

A

B

C

D

E

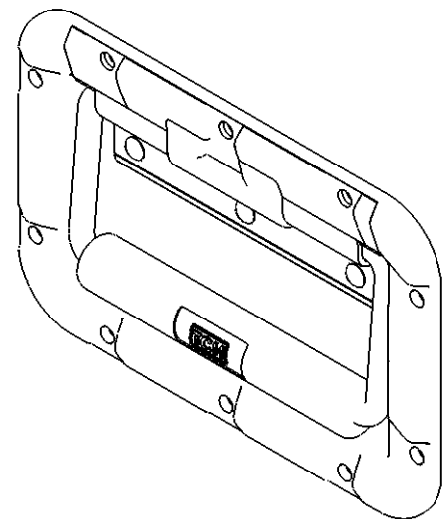
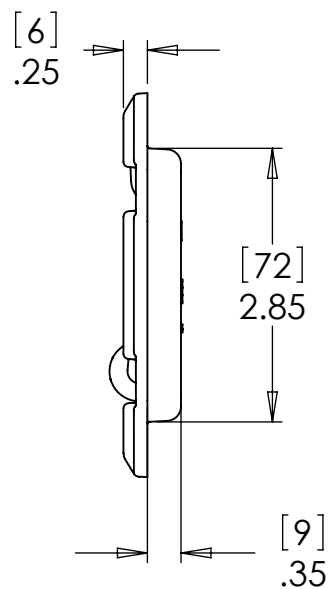
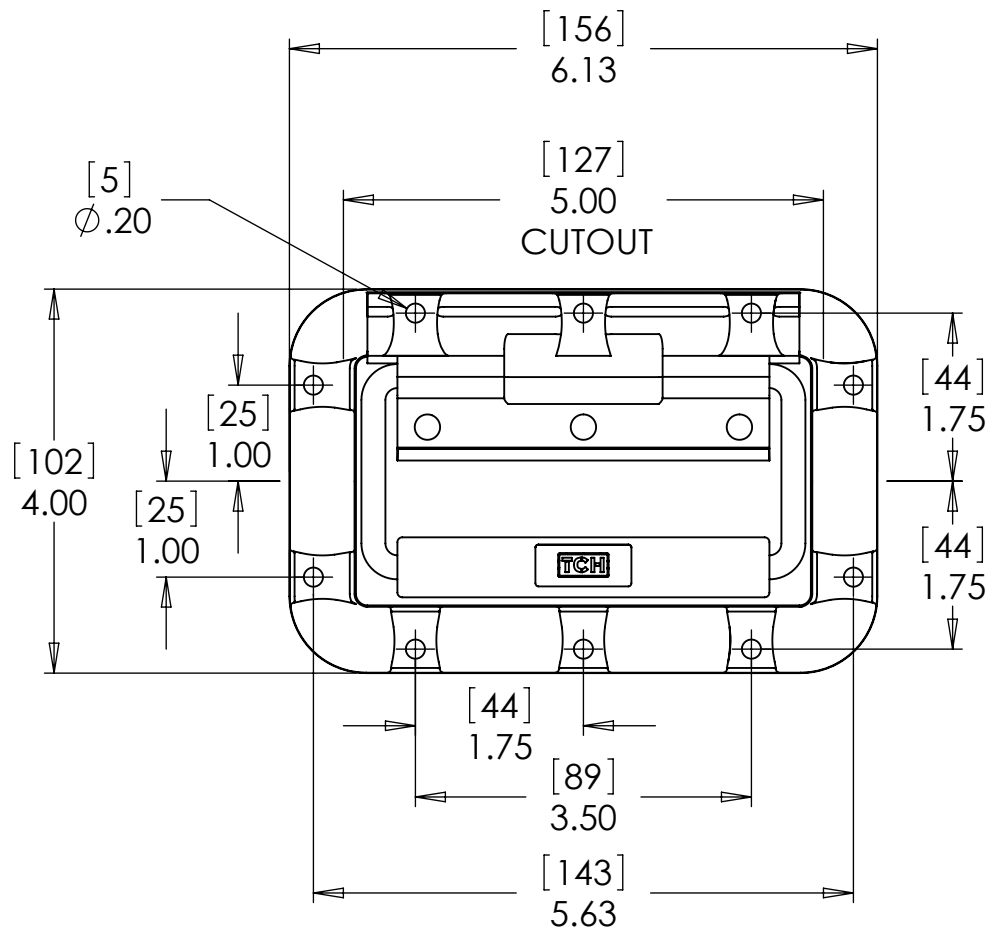
F

1

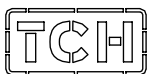
2

3

4



- NOTES:
- 1. - ALL DIMENSIONS ARE IN INCHES [MILLIMETERS]
 - 2. - MATERIAL: PLASTIC / STEEL
 - 3. - FINISH: BLACK

THE INFORMATION CONTAINED IN THIS DRAWING IS THE SOLE PROPERTY OF TRANS CONTINENTAL HARDWARE. ANY REPRODUCTION IN PART OR AS A WHOLE WITHOUT THE WRITTEN PERMISSION OF TRANS CONTINENTAL HARDWARE IS PROHIBITED.			
 TRANS CONTINENTAL HARDWARE			
PART NAME LIGHTWEIGHT RECESSED HANDLE			
MATERIAL PLASTIC / STEEL			
DRAWING NO. 500-101900 CUST		REVISION NO.	
DATE 1/1/2006	SCALE 1:2	THIRD ANGLE PROJECTION DRAWING	
ALL DIMENSIONS WITHOUT TOLERANCES ARE REFERENCE			
SPECIFICATION SUBJECT TO CHANGE WITHOUT NOTICE			

A

A

B

C

D

E

F