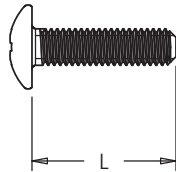


ALUMINUM RIVETS-MACHINE SCREWS-QUADREX-WOOD SCREWS-T NUTS-ALIGNMENT PIN

FASTENERS



512-6007900

10-32 X 3/4" Black Machine Screw

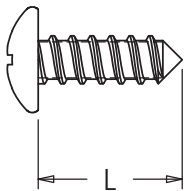
Mat: Steel | Finish: Black | Wt: .005kg / .01lbs

512-6013900

10-32 X 1-1/4" Black Machine Screw

Mat: Steel | Finish: Black | Wt: .005kg / .01lbs

- Truss head, quadrex drive.
- Black finish.



512-6052900

#8 X 1/2" Black Wood Screw

Mat: Steel | Finish: Black | Wt: .005kg / .01lbs

512-6077900

#8 X 3/4" Black Wood Screw

Mat: Steel | Finish: Black | Wt: .005kg / .01lbs

- Quadrex drive.
- Black finish.

512-6001800

1/4-20 Three Prong T-Nut

Mat: Steel | Finish: Zinc Plate | Wt: .005kg / .01lbs

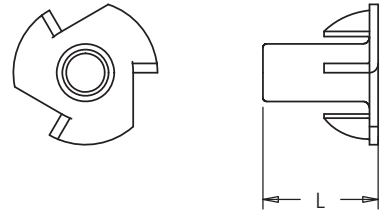
- 1/4-20 Thread x 9/16" long

512-6002800

10-32 Four Prong T-Nut

Mat: Steel | Finish: Zinc Plate | Wt: .005kg / .01lbs

- 10-32 Thread x 5/16" long

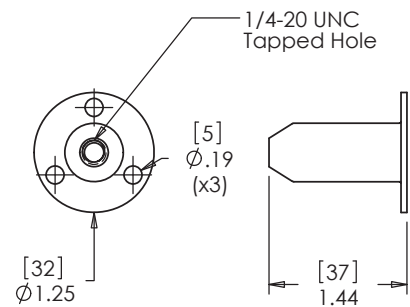


512-6005800

Threaded Alignment Pin

Mat: Steel | Finish: Zinc Plate | Wt: .05kg / .11lbs

- Quickly align panels together for positive fit.
- 1/4-20 thread with 3 hole mounting flange.

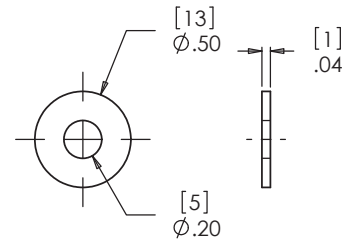


512-666852

Steel Washer

Mat: Steel | Finish: Plain | Wt: .005kg / .01lbs

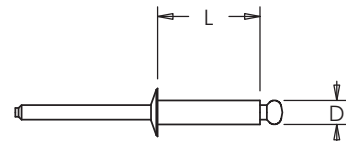
- Steel back-up washer for use with 3/16" diameter rivets.



Aluminum Rivets

Mat: Aluminum | Finish: Zinc Plate |
Wt: .005kg / .001lbs

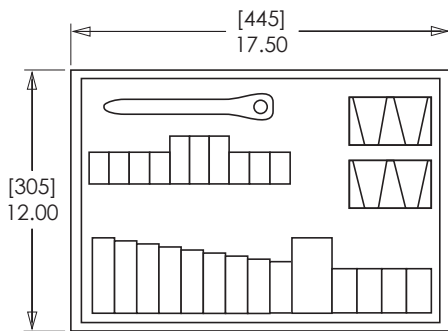
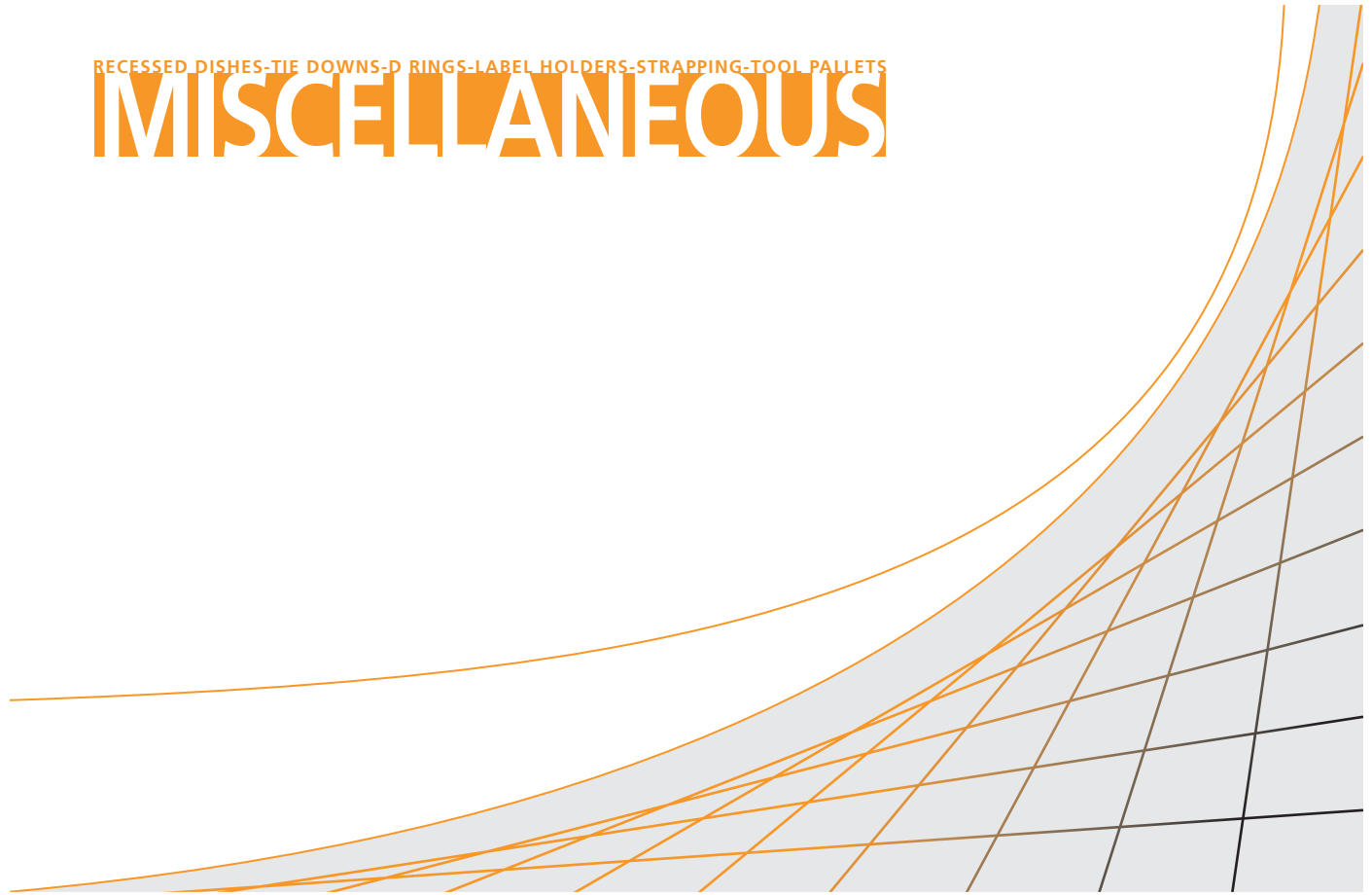
- Aluminum rivets.
- 3/16" Diameter.



Part number	Diameter	Grip	Total Length
512-6640806	3/16" Dia.	1/4" Grip	0.38"
512-6660806	3/16" Dia.	3/8" Grip	0.53"
512-6680806	3/16" Dia.	1/2" Grip	0.66"
512-6690806	3/16" Dia.	5/8" Grip	0.81"
512-6692806	3/16" Dia.	3/4" Grip	0.96"

RECESSED DISHES-TIE DOWNS-D RINGS-LABEL HOLDERS-STRAPPING-TOOL PALLETS

MISCELLANEOUS

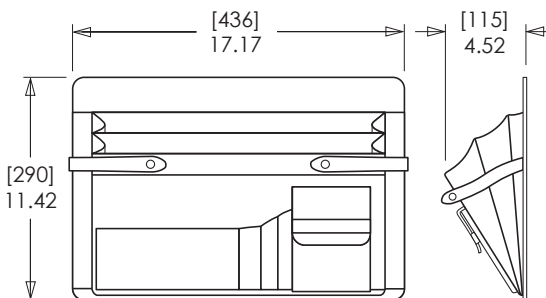


514-2311900

Premium Quality Tool Pallet

Mat: Plastic | Finish: Black | Wt: .48kg / 1.06lbs

- Mounts into upper lid of case.
- Provides for easy storage of tools (screwdrivers, cutters, pliers, etc...).
- Premium quality, built to last.



514-2312900

Briefcase Insert

Mat: Plastic | Finish: Black | Wt: .40kg / .88lbs

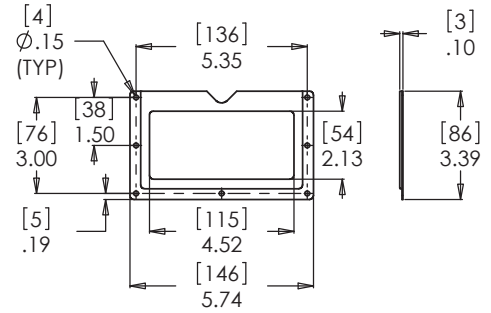
- Mounts into upper lid of case.
- Provides three accordion-style dividers for storing documents.
- Additional compartments for storing pens, pencils, etc...
- Low cost.

514-2135801

3" x 5" Card Holder

Mat: Steel | Finish: Nickel Plate | Wt: .04kg / .09lbs

- Industry standard card holder.
- Holds a standard identification card 76mm x 127mm, 3" x 5".
- Nickel plated.

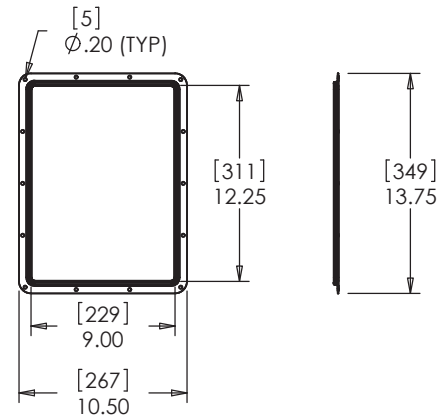


514-454800

Label Holder - Full Sheet

Mat: Steel | Finish: Zinc Plate | Wt: .09kg / .2lbs

- Surface mount label holder with a continuous protective rib.
- Holds a standard sheet of letter paper (216mm x 279mm, 8.5" x 11") or A4 labels.
- Zinc plated.
- Available by special order.

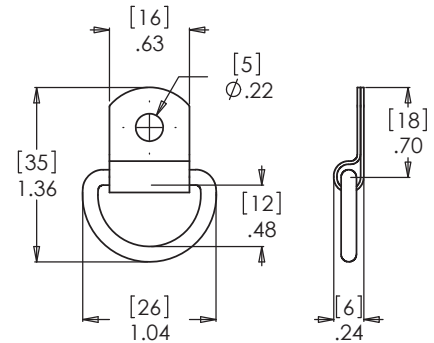


514-2152801

D-Ring

Mat: Steel | Finish: Nickel Plate | Wt: .01kg / .02lbs

- For securing shoulder strap on smaller cases.
- Can be used as an inexpensive security seal.

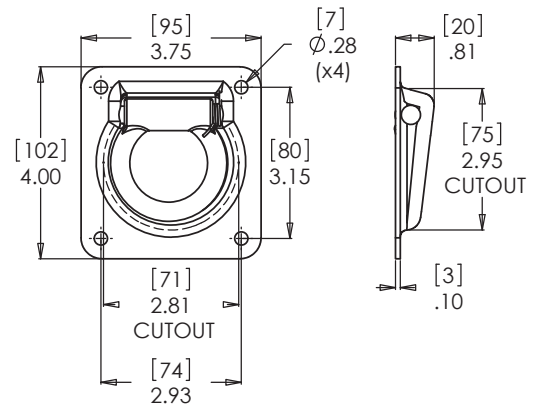


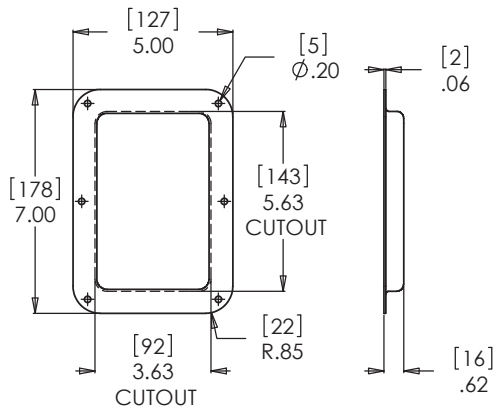
514-2275900

Roping Eye with Spring Loaded Ring

Mat: Steel | Finish: Black | Wt: .37kg / .82lbs

- For use in securing cases or cabinets while in transit.
- Spring loaded ring.
- Not intended as a fly point to suspend cabinets in the air.



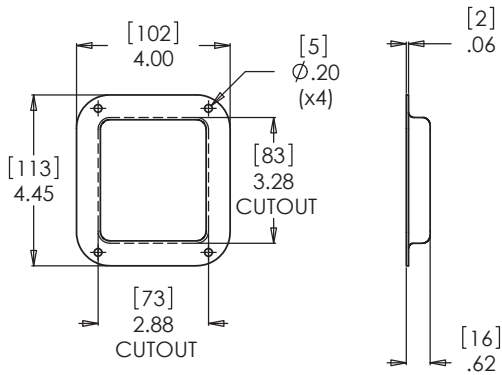


514-450800

Large Recessed Dish

Mat: Steel | Finish: Zinc Plate | Wt: .31kg / .68lbs

- 127mm x 178mm (5" x 7") large size recessed dish.
- User can customize internal hole configuration such as for speaker jack dishes.
- Used as wheel wells for stacking units with casters.
- Only six mounting holes.

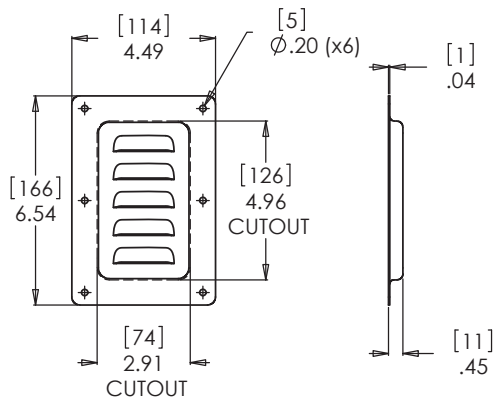


514-490800

Medium Recessed Dish

Mat: Steel | Finish: Zinc Plate | Wt: .15kg / .33lbs

- 102mm x 110mm (4" x 4.44") medium size recessed dish.
- User can customize internal hole configuration such as for speaker jack dishes.
- Used as wheel wells for stacking units with casters.
- Only four mounting holes.

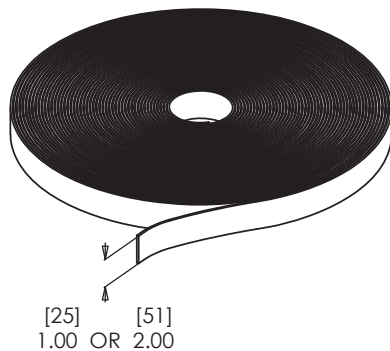


514-462800

Vertical Mount Louver Dish

Mat: Steel | Finish: Zinc Plate | Wt: .17kg / .36lbs

- Dish allows for air movement in cases such as wardrobe or rack cases where there is no room for fan panels.
- Only six mounting holes.



514-2288900

1" Black Nylon Strapping

Mat: Nylon | Finish: Black | Wt: .01kg / .02lbs

514-2121900

2" Black Nylon Strapping

Mat: Nylon | Finish: Black | Wt: .02kg / .04lbs

- Black nylon strapping.
- Sold by the foot.



