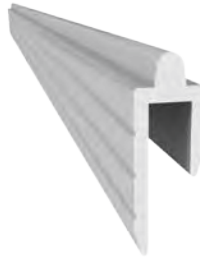
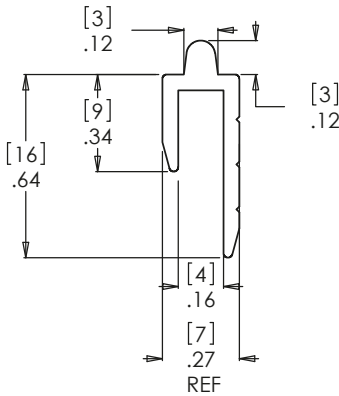
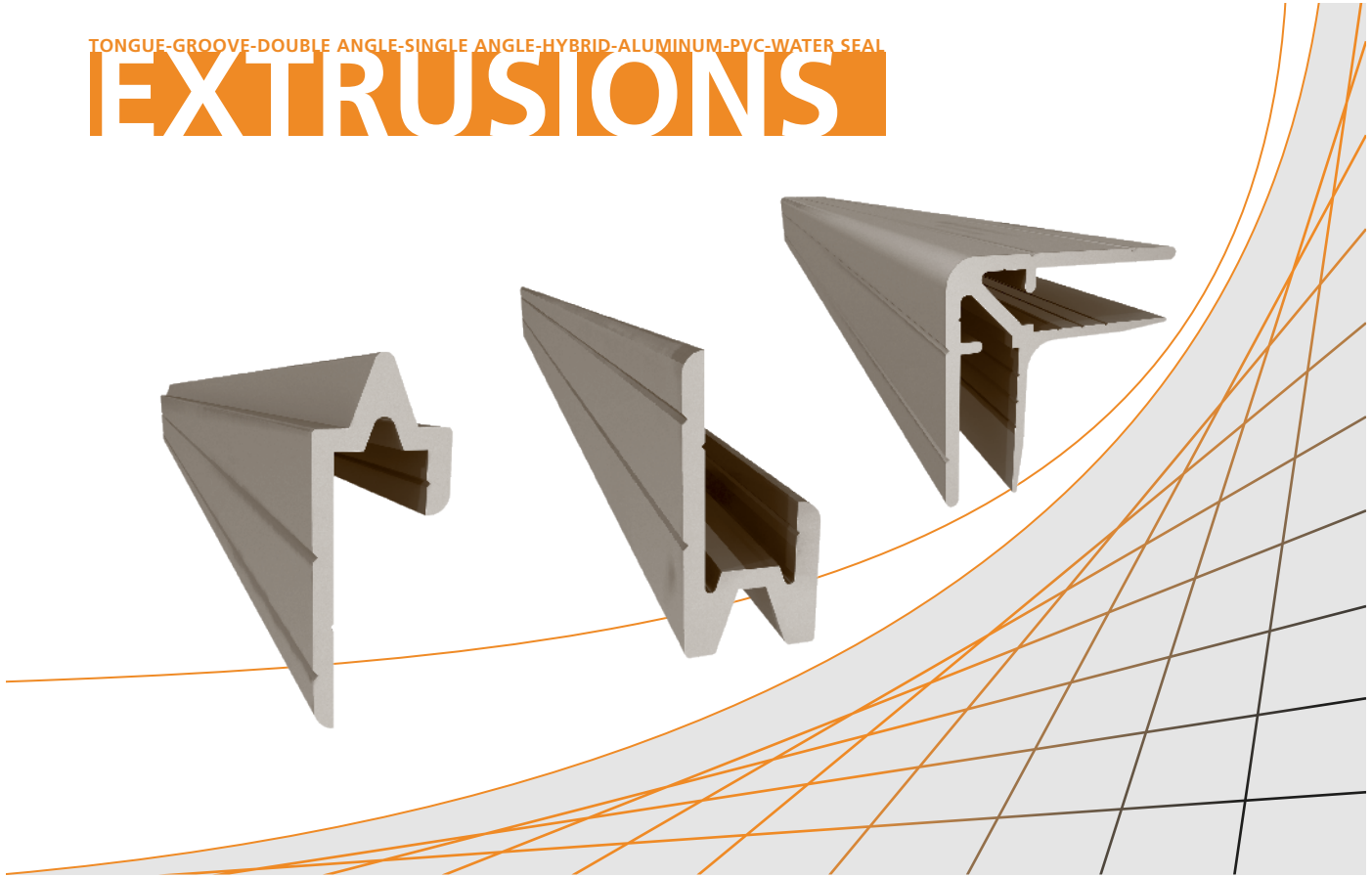


TONGUE-GROOVE-DOUBLE ANGLE-SINGLE ANGLE-HYBRID-ALUMINUM-PVC-WATER SEAL

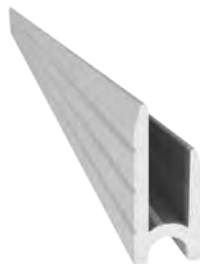
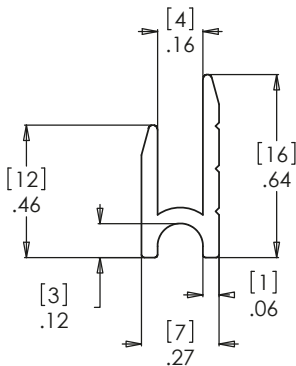
# EXTRUSIONS



## 507-3010806 1/8" Aluminum Tongue

Mat: Aluminum | Finish: Mill Finish | Wt: .04kg / .09lbs

- Aluminum tongue for use with any TCH 1/8" series laminate.
- 6063 alloy, mill finish.
- T52 temper to allow for bending without cracking.
- Sold in 10 foot lengths - priced by the foot.
- Mates with the 507-3012806 groove.
- Weight per foot.



## 507-3012806 1/8" Aluminum Groove

Mat: Aluminum | Finish: Mill Finish | Wt: .04kg / .09lbs

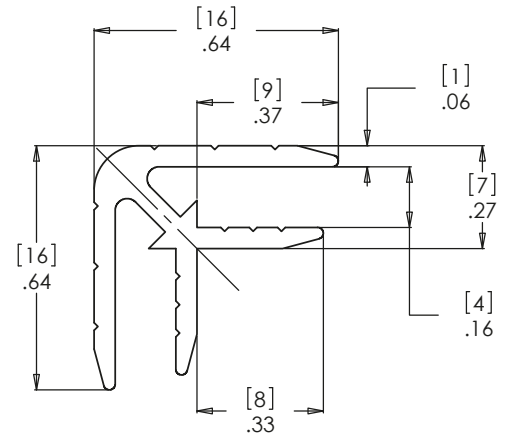
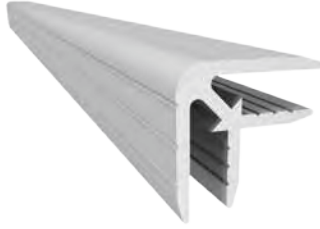
- Aluminum groove for use with any TCH 1/8" series laminate.
- 6063 alloy, mill finish.
- T52 temper to allow for bending without cracking.
- Sold in 10 foot lengths - priced by the foot.
- Mates with the 507-3010806 tongue.
- Weight per foot.

## 507-3040806

### 1/8" Aluminum Double Angle

Mat: Aluminum | Finish: Mill Finish | Wt: .06kg / .13lbs

- Aluminum double angle for use with any TCH 1/8" series laminate.
- 6063 alloy, mill finish.
- T5 temper for durable edges and corners.
- Sold in 10 foot lengths - priced by the foot.
- Weight per foot.

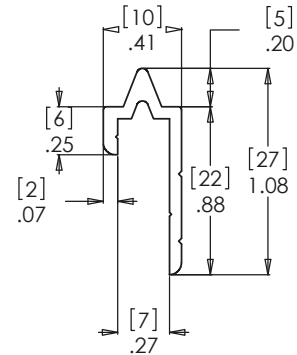


## 507-3021806

### 1/4" Aluminum Tongue

Mat: Aluminum | Finish: Mill Finish | Wt: .06kg / .13lbs

- Aluminum tongue for use with any TCH 1/4" series laminate.
- 6063 alloy, mill finish.
- T52 temper to allow for bending without cracking.
- Sold in 10 foot lengths - priced by the foot.
- Mates with the 507-3023806, 507-3026806, 507-3111806, and 507-3118806.
- Weight per foot.

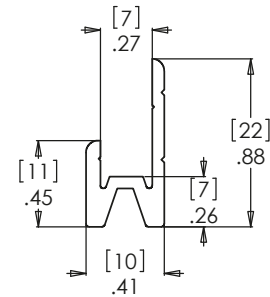


## 507-3023806

### 1/4" Aluminum Groove

Mat: Aluminum | Finish: Mill Finish | Wt: .07kg / .15lbs

- Aluminum tongue for use with any TCH 1/4" series laminate.
- 6063 alloy, mill finish.
- T52 temper to allow for bending without cracking.
- Sold in 10 foot lengths - priced by the foot.
- Mates with the 507-3021806, 507-3112806 and 507-3116806.
- Weight per foot.

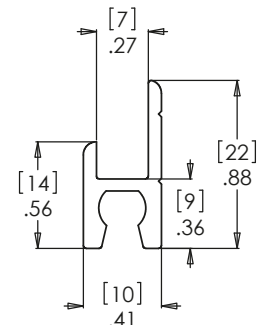


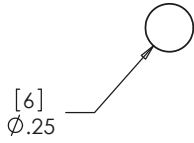
## 507-3026806

### 1/4" Aluminum Groove for Water Resistant Seal

Mat: Aluminum | Finish: Mill Finish | Wt: .07kg / .15lbs

- Aluminum groove for use with any TCH 1/4" series laminate. Includes slot to hold the water resistant seal.
- 6063 alloy, mill finish.
- T52 temper to allow for bending without cracking.
- Sold in 10 foot lengths - priced by the foot.
- Mates with the 507-3021806, 507-3112806, and 507-3116806. Uses water resistant seal 507-3028900. Not required.



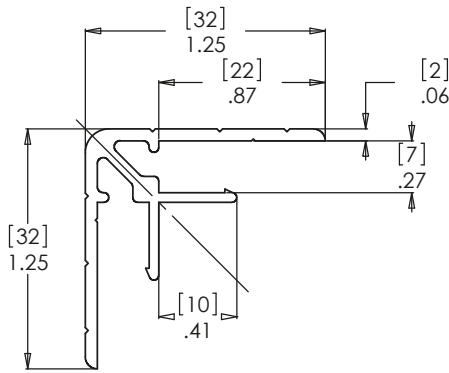


## 507-3028900

### Water Resistant Seal

Mat: Neoprene | Finish: Black | Wt: .05kg / .12lbs

- Neoprene weather seal for use in water seal groove extrusions.
- Works with the 507-3026806, 507-3025806, 507-3118806, and 507-3038806.
- Weight per foot.

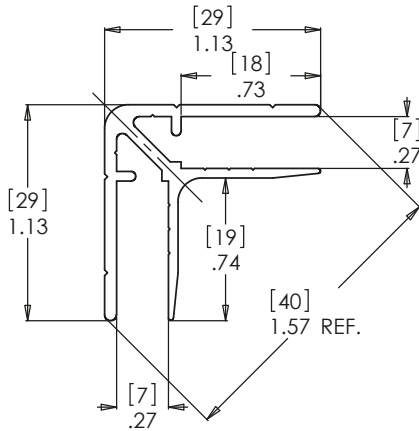


## 507-3051806

### 1/4" Aluminum Double Angle

Mat: Aluminum | Finish: Mill Finish |  
Wt: .12kg / .26lbs

- Aluminum double angle for use with any TCH 1/4" series laminate.
- 6063 alloy, mill finish.
- T5 temper for durable edges and corners.
- Sold in 10 foot lengths - priced by the foot.
- Weight per foot.

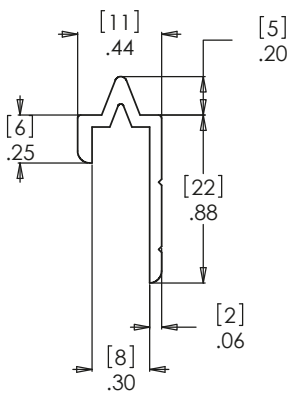


## 507-9152806

### 1/4" Aluminum Long Leg Double Angle

Mat: Aluminum | Finish: Mill Finish |  
Wt: .15kg / .31lbs

- Aluminum double angle for use with any TCH 1/4" series laminate.
- Similar to the 507-3051806 but with equal length inner and outer legs.
- 6063 alloy, mill finish.
- T5 temper for durable edges and corners.
- Sold in 10 foot lengths - priced by the foot.
- Weight per foot.



## 507-3020806

### 1/4" Aluminum Wide Slot Tongue

Mat: Aluminum | Finish: Mill Finish |  
Wt: .05kg / .12lbs

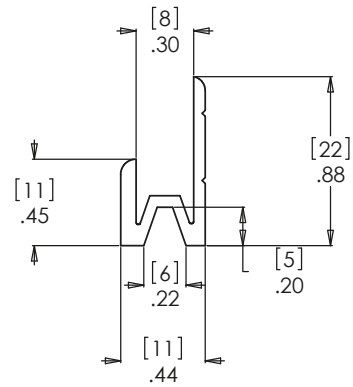
- Aluminum wide slot tongue for use with true 1/4" series laminate.
- 6063 alloy, mill finish.
- T52 temper to allow for bending without cracking.
- Sold in 10 foot lengths - priced by the foot.
- Mates with the 507-3022806.
- Weight per foot.

## 507-3022806

### 1/4" Aluminum Wide Slot Groove

Mat: Aluminum | Finish: Mill Finish | Wt: .07kg / .15lbs

- Aluminum wide slot tongue for use with true 1/4" series laminate.
- 6063 alloy, mill finish.
- T52 temper to allow for bending without cracking.
- Sold in 10 foot lengths - priced by the foot.
- Mates with the 507-3020806.
- Weight per foot.

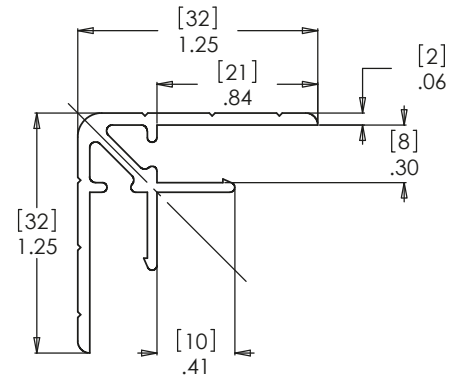


## 507-3050806

### 1/4" Aluminum Wide Slot Double Angle

Mat: Aluminum | Finish: Mill Finish | Wt: .12kg / .26lbs

- Aluminum double angle for use with true 1/4" series laminate.
- 6063 alloy, mill finish.
- T5 temper for durable edges and corners.
- Sold in 10 foot lengths - priced by the foot.
- Weight per foot.

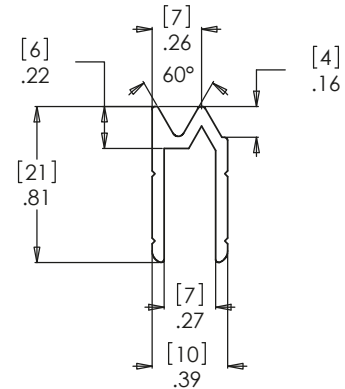
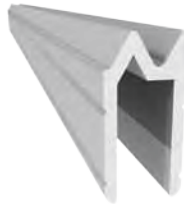


## 507-3024806

### 1/4" Aluminum Tongue & Groove

Mat: Aluminum | Finish: Mill Finish | Wt: .06kg / .13lbs

- Aluminum hybrid tongue & groove for use with any TCH 1/4" series laminate.
- 6063 alloy, mill finish.
- T52 temper to allow for bending without cracking.
- Sold in 10 foot lengths - priced by the foot.
- Weight per foot.

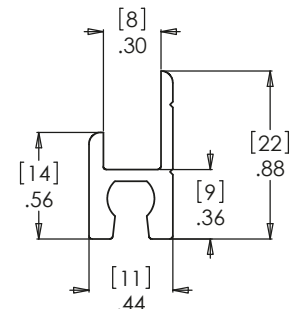
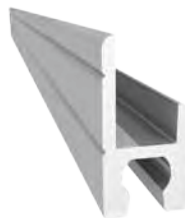


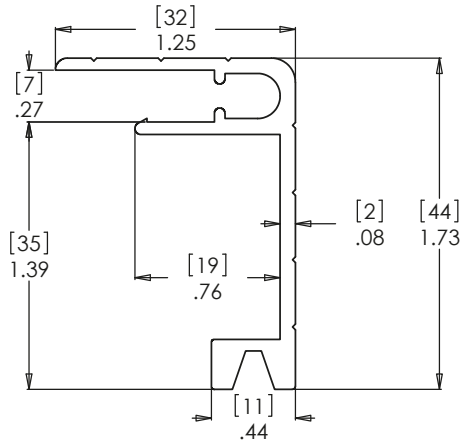
## 507-3025806

### 1/4" Aluminum Wide Slot Groove for Water Resistant Seal

Mat: Aluminum | Finish: Mill Finish | Wt: .07kg / .15lbs

- Aluminum wide slot groove for use with true 1/4" series laminate.
- Includes slot to hold the water resistant seal.
- 6063 alloy, mill finish.
- T52 temper to allow for bending without cracking.
- Sold in 10 foot lengths - priced by the foot.
- Uses water resistant seal 507-3028900. Not required.



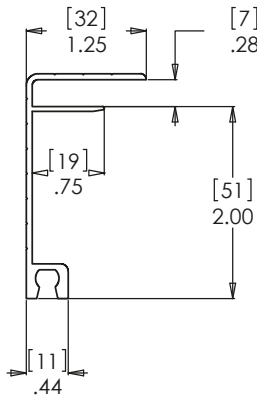


## 507-3111806

### 1/4" Aluminum Lidmaker Groove with 1-3/8" Leg

Mat: Aluminum | Finish: Mill Finish |  
Wt: .18kg / .40lbs

- Aluminum Lidmaker groove for use with any TCH 1/4" series laminate.
- 6063 alloy, mill finish.
- T5 temper for durable edges and corners.
- Sold in 10 foot lengths - priced by the foot.
- Mates with the 507-3021806, 507-3112806, and 507-3116806.
- Weight per foot.

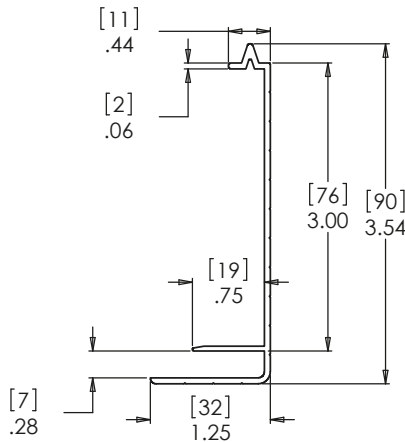


## 507-3118806

### 1/4" Aluminum Lidmaker Groove with 2" Leg for Water Resistant Seal

Mat: Aluminum | Finish: Mill Finish |  
Wt: .18kg / .40lbs

- Aluminum tongue for use with any TCH 1/4" series laminate.
- 6063 alloy, mill finish, T5 temper for durable edges and corners.
- Sold in 10 foot lengths - priced by the foot.
- Mates with 507-3021806, 507-3112806, and 507-3116806.
- Uses water resistant seal 507-3028900. Not required. Weight per foot.

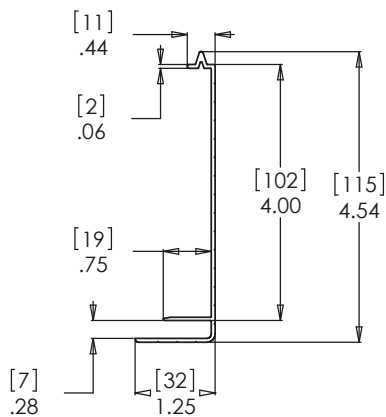


## 507-3112806

### 1/4" Aluminum Lidmaker Tongue with 3" Leg

Mat: Aluminum | Finish: Mill Finish |  
Wt: .18kg / .40lbs

- Aluminum Lidmaker tongue for use with any TCH 1/4" series laminate.
- 6063 alloy, mill finish.
- T5 temper for durable edges and corners.
- Sold in 10 foot lengths - priced by the foot.
- Mates with the 507-3023806, 507-3026806, 507-3111806, and 507-3118806.
- Weight per foot.



## 507-3116806

### 1/4" Aluminum Lidmaker Tongue with 4" Leg

Mat: Aluminum | Finish: Mill Finish |  
Wt: .18kg / .40lbs

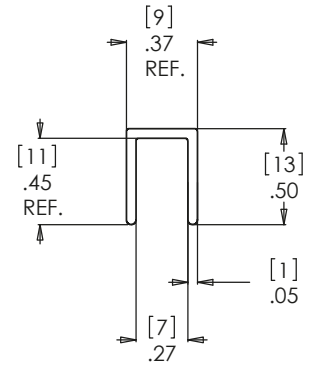
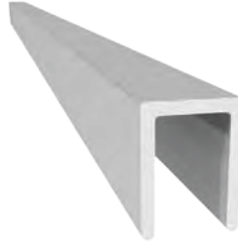
- Aluminum Lidmaker tongue for use with any TCH 1/4" series laminate.
- 6063 alloy, mill finish.
- T5 temper for durable edges and corners.
- Sold in 10 foot lengths - priced by the foot.
- Mates with the 507-3023806, 507-3026806, 507-3111806, and 507-3118806.
- Weight per foot.

## 507-3053806

### 1/4" Aluminum U-Cap

Mat: Aluminum | Finish: Mill Finish | Wt: .04kg / .09lbs

- Aluminum U-Cap for use with any TCH 1/4" series laminate.
- 6063 alloy, mill finish.
- T5 temper for durable edges and corners.
- Sold in 10 foot lengths - priced by the foot.
- Weight per foot.

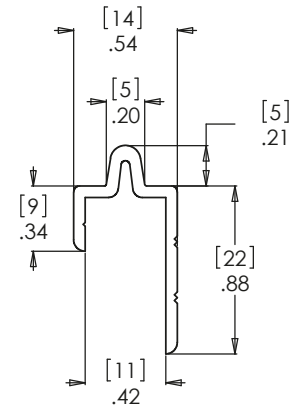


## 507-3100806

### 3/8" Aluminum Tongue

Mat: Aluminum | Finish: Mill Finish | Wt: .06kg / .13lbs

- Aluminum tongue for use with any TCH 3/8" series laminate.
- 6063 alloy, mill finish.
- T52 temper to allow for bending without cracking.
- Sold in 10 foot lengths - priced by the foot.
- Mates with the 507-3103806, and 507-3104806.
- Weight per foot.

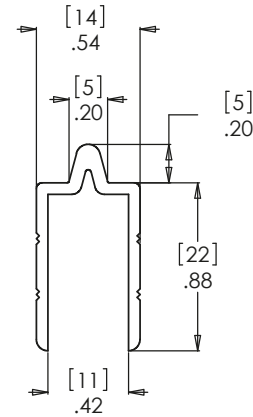
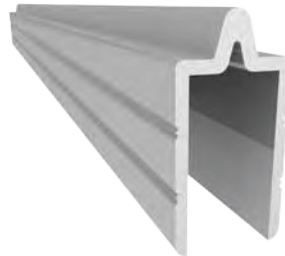


## 507-3101806

### 3/8" Aluminum Long Leg Tongue

Mat: Aluminum | Finish: Mill Finish | Wt: .07kg / .15lbs

- Aluminum tongue for use with any TCH 3/8" series laminate.
- 6063 alloy, mill finish. T52 temper to allow for bending without cracking.
- Sold in 10 foot lengths - priced by the foot.
- Mates with the 507-3103806, and 507-3104806.
- Weight per foot.
- Equal length inner and outer legs.

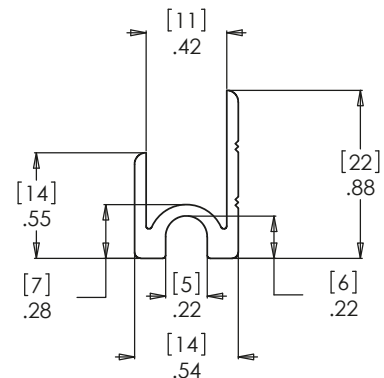


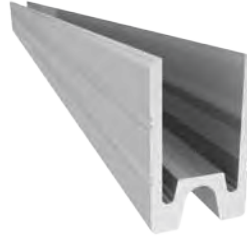
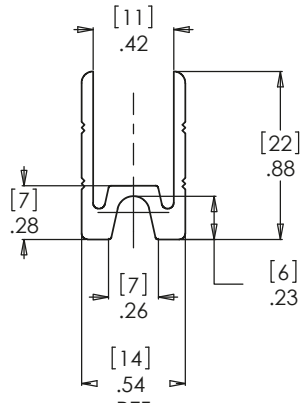
## 507-3103806

### 3/8" Aluminum Groove

Mat: Aluminum | Finish: Mill Finish | Wt: .07kg / .15lbs

- Aluminum groove for use with any TCH 3/8" series laminate.
- 6063 alloy, mill finish.
- T52 temper to allow for bending without cracking.
- Sold in 10 foot lengths - priced by the foot.
- Mates with the 507-3100806, and 507-3101806.
- Weight per foot.



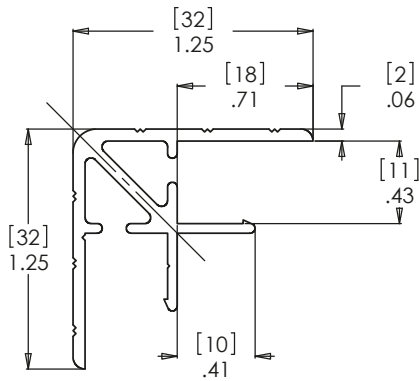


## 507-3104806

### 3/8" Aluminum Long Leg Groove

Mat: Aluminum | Finish: Mill Finish | Wt: .08kg / .17lbs

- Aluminum groove for use with any TCH 3/8" series laminate.
- 6063 alloy, mill finish. T52 temper to allow for bending without cracking.
- Sold in 10 foot lengths - priced by the foot.
- Mates with the 507-3100806, and 507-3101806.
- Weight per foot.
- Equal length inner and outer legs.

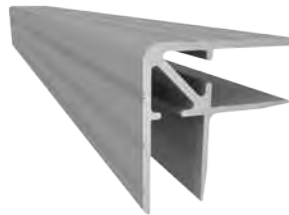
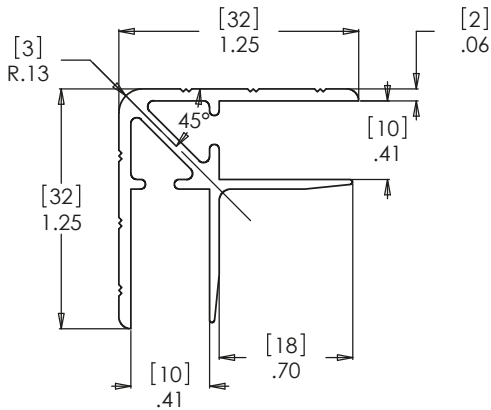


## 507-3106806

### 3/8" Aluminum Double Angle

Mat: Aluminum | Finish: Mill Finish | Wt: .15kg / .33lbs

- Aluminum double angle for use with any TCH 3/8" series laminate.
- 6063 alloy, mill finish.
- T5 temper for durable edges and corners.
- Sold in 10 foot lengths - priced by the foot.
- Weight per foot.

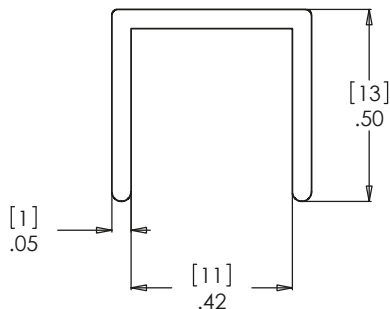


## 507-3108806

### 3/8" Aluminum Long Leg Double Angle

Mat: Aluminum | Finish: Mill Finish | Wt: .15kg / .33lbs

- Aluminum double angle for use with any TCH 3/8" series laminate.
- 6063 alloy, mill finish.
- T5 temper for durable edges and corners.
- Sold in 10 foot lengths - priced by the foot.
- Weight per foot.
- Equal length inner and outer legs.



## 507-3131806

### 3/8" Aluminum U-Cap

Mat: Aluminum | Finish: Mill Finish | Wt: .04kg / .09lbs

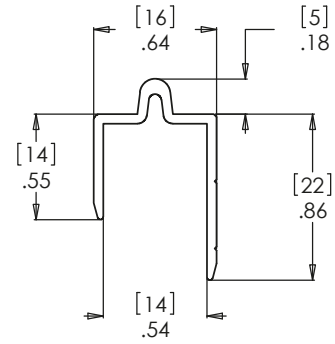
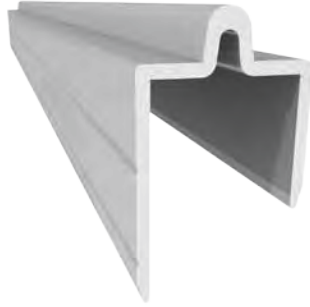
- Aluminum U-Cap for use with any TCH 3/8" series laminate.
- 6063 alloy, mill finish.
- T5 temper for durable edges and corners.
- Sold in 10 foot lengths - priced by the foot.
- Weight per foot.

## 507-3033806

### 1/2" Aluminum Tongue

Mat: Aluminum | Finish: Mill Finish | Wt: .06kg / .13lbs

- Aluminum tongue for use with any TCH 1/2" series laminate.
- 6063 alloy, mill finish.
- T52 temper to allow for bending without cracking.
- Sold in 10 foot lengths - priced by the foot.
- Mates with the 507-3035806.
- Weight per foot.

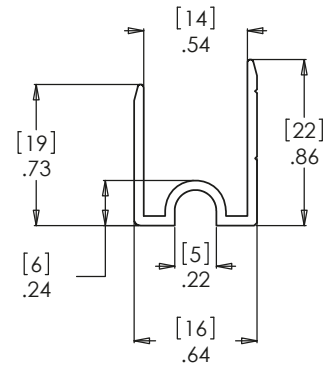
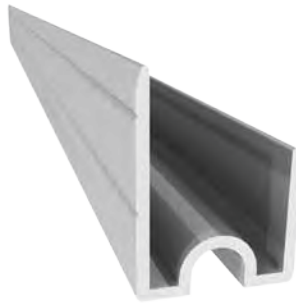


## 507-3035806

### 1/2" Aluminum Groove

Mat: Aluminum | Finish: Mill Finish | Wt: .06kg / .13lbs

- Aluminum groove for use with any TCH 1/2" series laminate.
- 6063 alloy, mill finish.
- T52 temper to allow for bending without cracking.
- Sold in 10 foot lengths - priced by the foot.
- Mates with the 507-3033806.
- Weight per foot.

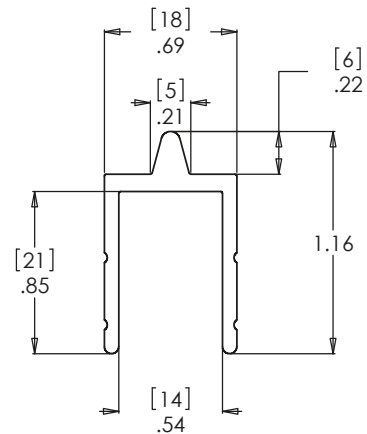
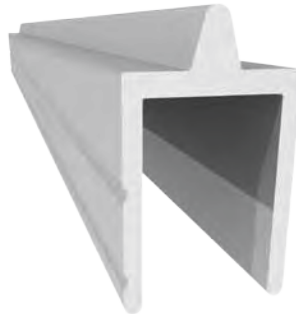


## 507-3037806

### 1/2" Aluminum Heavy Duty Tongue

Mat: Aluminum | Finish: Mill Finish | Wt: .11kg / .24lbs

- Aluminum tongue for use with any TCH 1/2" series laminate.
- 6063 alloy, mill finish.
- T52 temper to allow for bending without cracking.
- Sold in 10 foot lengths - priced by the foot.
- Mates with the 507-3038806.
- Weight per foot.

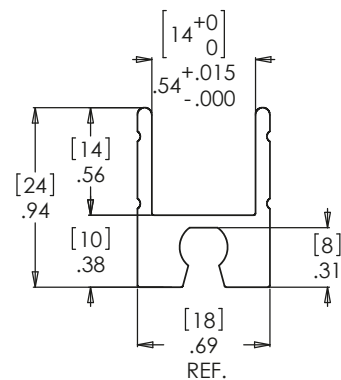


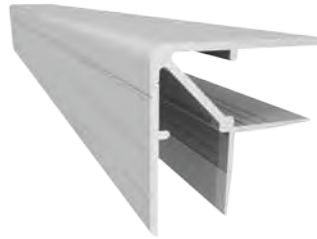
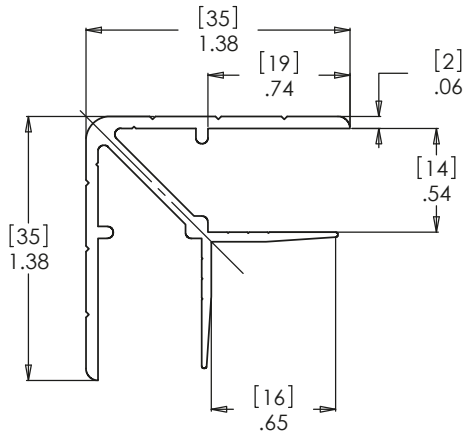
## 507-3038806

### 1/2" Aluminum Heavy Duty Groove for Water Resistant Seal

Mat: Aluminum | Finish: Mill Finish | Wt: .15kg / .33lbs

- Aluminum groove for use with any TCH 1/2" series laminate.
- 6063 alloy, mill finish.
- T52 temper to allow for bending without cracking.
- Sold in 10 foot lengths - priced by the foot.
- Mates with the 507-3037806.
- Uses water resistant seal 507-3028900. Not required. Weight per foot.



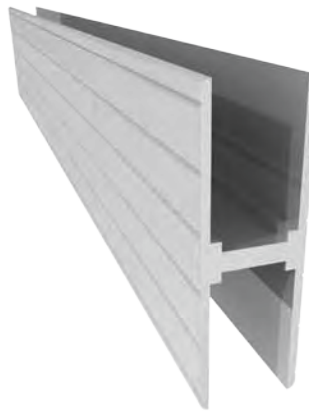
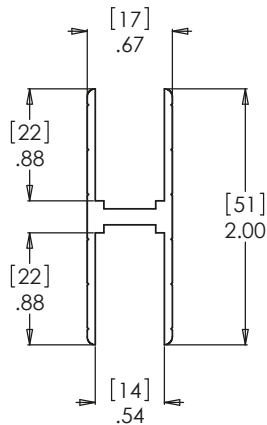


## 507-3071806

### 1/2" Aluminum Double Angle

Mat: Aluminum | Finish: Mill Finish | Wt: .15kg / .33lbs

- Aluminum double angle for use with any TCH 1/2" series laminate.
- 6063 alloy, mill finish.
- T5 temper for durable edges and corners.
- Sold in 10 foot lengths - priced by the foot.
- Weight per foot.

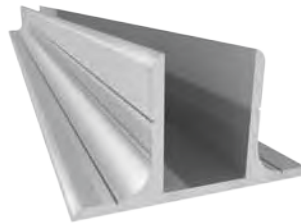
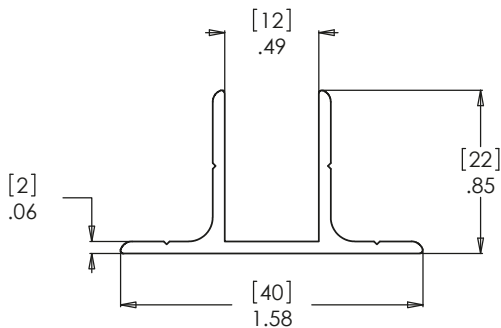


## 507-3181806

### 1/2" Aluminum H-Channel

Mat: Aluminum | Finish: Mill Finish | Wt: .17kg / .37lbs

- Aluminum H-Channel for joining any TCH 1/2" series laminate.
- 6063 alloy, mill finish.
- T5 temper for durable edges and corners.
- Sold in 10 foot lengths - priced by the foot.
- Weight per foot.

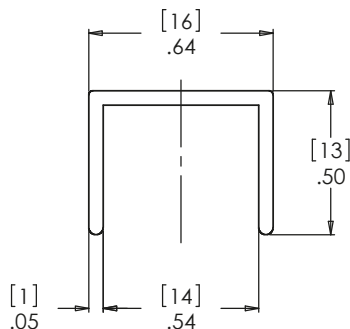


## 507-3176806

### 1/2" Aluminum T-Channel

Mat: Aluminum | Finish: Mill Finish | Wt: .10kg / .22lbs

- Aluminum T-Channel for use with any TCH 1/2" series laminate.
- For joining 1/2" dividers or shelves.
- 6063 alloy, mill finish.
- T5 temper for durable edges and corners.
- Sold in 10 foot lengths - priced by the foot.
- Weight per foot.



## 507-3171806

### 1/2" Aluminum U-Cap

Mat: Aluminum | Finish: Mill Finish | Wt: .20kg / .09lbs

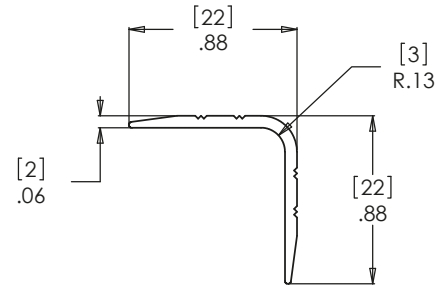
- Aluminum U-Cap for use with any TCH 1/2" series laminate.
- 6063 alloy, mill finish.
- T5 temper for durable edges and corners.
- Provides a finished look.
- Sold in 10 foot lengths - priced by the foot.
- Weight per foot.

## 507-3124806

### 3/4" Aluminum Angle

Mat: Aluminum | Finish: Mill Finish | Wt: .05kg / .11lbs

- 3/4" aluminum angle.
- 6063 alloy, mill finish.
- T5 temper for durable edges and corners.
- Sold in 10 foot lengths - priced by the foot.
- Weight per foot.

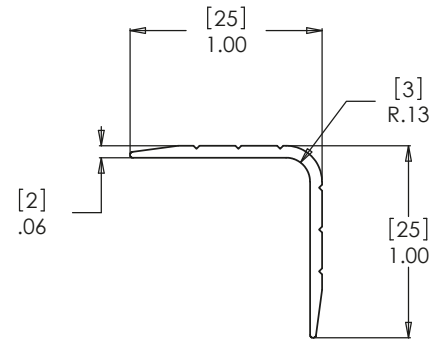


## 507-3130806

### 1" Aluminum Angle

Mat: Aluminum | Finish: Mill Finish | Wt: .07kg / .15lbs

- 1" aluminum angle.
- 6063 alloy, mill finish.
- T5 temper for durable edges and corners.
- Sold in 10 foot lengths - priced by the foot.
- Weight per foot.

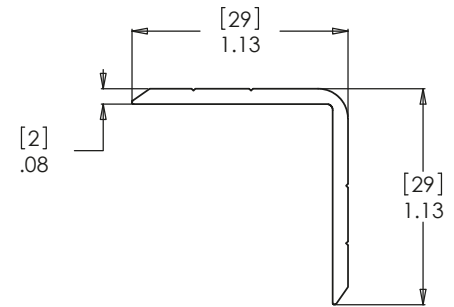


## 507-3140806

### 1-1/8" Aluminum Angle

Mat: Aluminum | Finish: Mill Finish | Wt: .09kg / .20lbs

- 1-1/8" aluminum angle.
- 6063 alloy, mill finish.
- T5 temper for durable edges and corners.
- Sold in 10 foot lengths - priced by the foot.
- Weight per foot.

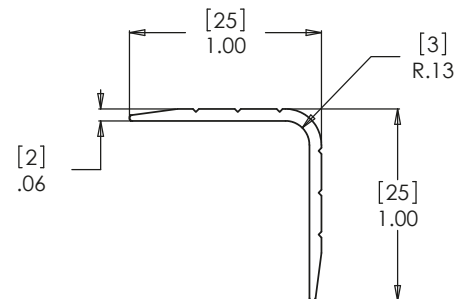


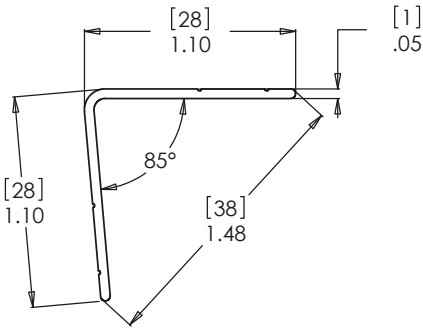
## 507-3150806

### 1-1/2" Aluminum Angle

Mat: Aluminum | Finish: Mill Finish | Wt: .11kg / .24lbs

- 1-1/2" aluminum angle.
- 6063 alloy, mill finish.
- T5 temper for durable edges and corners.
- Sold in 10 foot lengths - priced by the foot.
- Weight per foot.



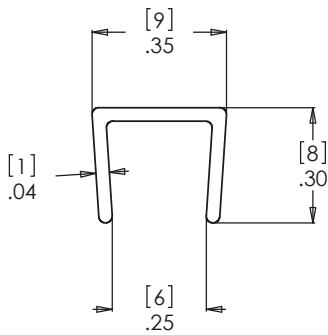


## 507-3142900

### 1" PVC Plastic Angle

Mat: PVC Plastic | Finish: Black | Wt: .04kg / .09lbs

- 1" black PVC plastic angle.
- Sold in 10 foot lengths - priced by the foot.
- Weight per foot.

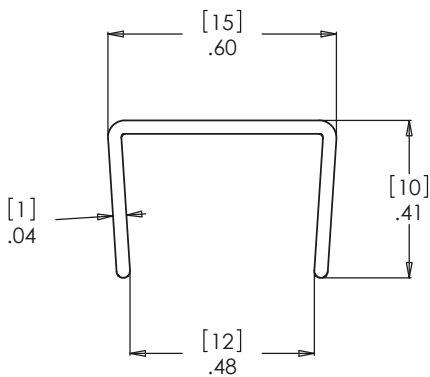


## 507-3160900

### 1/4" PVC Plastic U-Cap

Mat: PVC Plastic | Finish: Black | Wt: .01kg / .02lbs

- 1/4" black PVC plastic edge protector.
- Sold in 10 foot lengths - priced by the foot.
- Weight per foot.



## 507-3165900

### 1/2" PVC Plastic U-Cap

Mat: PVC Plastic | Finish: Black | Wt: .02kg / .03lbs

- 1/2" black PVC plastic edge protector.
- Sold in 10 foot lengths - priced by the foot.
- Weight per foot.

## Notes

A series of horizontal dotted lines for taking notes, starting below the 'Notes' header and extending to the top of the footer area.