



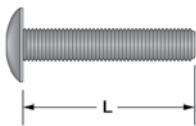
T-Nuts  
Washers  
Pop Rivets  
Wood Screws

# FASTENERS

## Black Machine Screws

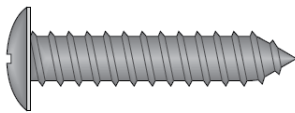


Quadrex Head



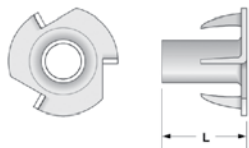
Part Number	Product Information	Finish	Material
<b>512-6007900</b>	10-32 quadrex 3/4" length machine screw.	Black	Steel
<b>512-6013900</b>	10-32 quadrex 1-1/4" length machine screw.	Black	Steel
<b>512-6023900</b>	1/4-20 quadrex 1-1/4" length machine screw.	Black	Steel

## Black Wood Screws



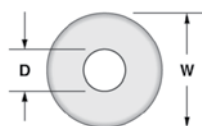
Part Number	Product Information	Finish	Material
<b>512-6052900</b>	#8 quadrex wood screw 1/2" length	Black	Steel
<b>512-6075900</b>	#8 robertson 3/4" length wood screw.	Black	Steel
<b>512-6076900</b>	#8 phillips 3/4" length wood screw.	Black	Steel
<b>512-6151900</b>	#8 phillips 1 1/2" length wood screw.	Black	Steel

## Steel T-Nuts



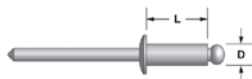
Part Number	Product Information	Finish	Material
<b>512-6001800</b>	1/4-20 T-Nut - .56" length	Zinc	Steel
<b>512-6002800</b>	10-32 T-Nut - .31" length	Zinc	Steel

## Steel Washer



Part Number	Product Information	Finish	Material
<b>512-6666852</b>	For reinforcing 3/16" diameter rivets.	Zinc	Steel

## Aluminum Pop Rivets



Part Number	Product Information	Finish	Material
<b>512-6460806</b>	1/8" diameter .53" length 3/8" Grip	Aluminum	Aluminum
<b>512-6540806</b>	5/32" diameter .38" length 1/4" Grip	Aluminum	Aluminum
<b>512-6640806</b>	3/16" diameter .38" length 1/4" Grip	Aluminum	Aluminum
<b>512-6660806</b>	3/16" diameter .53" length 3/8" Grip	Aluminum	Aluminum
<b>512-6680806</b>	3/16" diameter .66" length 1/2" Grip	Aluminum	Aluminum
<b>512-6690806</b>	3/16" diameter .81" length 5/8" Grip	Aluminum	Aluminum
<b>512-6692806</b>	3/16" diameter .96" length 3/4" Grip	Aluminum	Aluminum

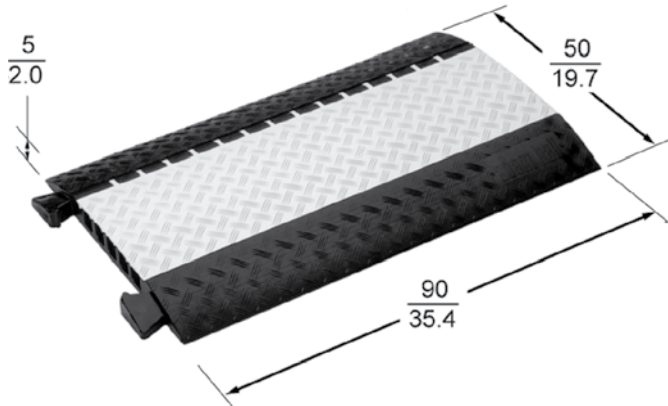
# Lifts

Recessed Dishes  
Cable Crossovers

# Carts

## MISCELLANEOUS

### Defender MIDI



#### Features

Virtually indestructible Polyurethane body and lid, with high resistance to tearing

Improved elasticity for better grip on the underside of the unit

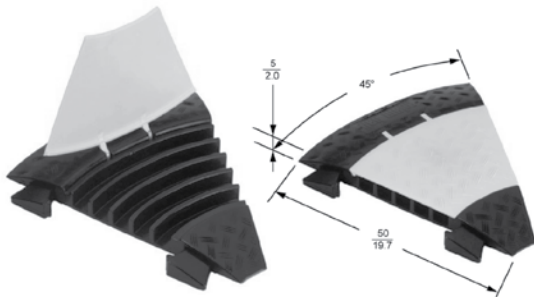
High load capacity for superior protection against large vehicle crossing, can hold up to 6000 lbs. under normal conditions

Hinged lid with interlocking feature, holds lid open while laying cables

Locating channels on the underside of the lid to ensure that the lid stays in position while vehicles cross over

Part Number	Product Information	Finish	Weight (kg/lbs)	Material
514-85300	Extra durable	Black/Yellow	11.8/26	Polyurethane

### Defender MIDI 45 Degree Corner



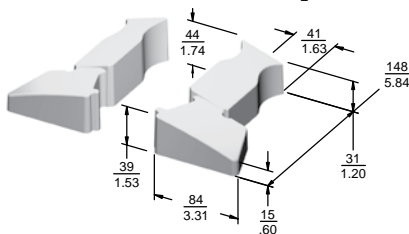
#### Features

Allows Defender MIDI to negotiate 45 degree corners without leaving any exposed sections of cable

Each 45 degree angle supplied with 2 connector plugs

Part Number	Product Information	Finish	Weight (kg/lbs)	Material
514-85310	Defender 45 degree corner	Black/Yellow	3.18/7.00	Polyurethane

### Defender MIDI adaptor

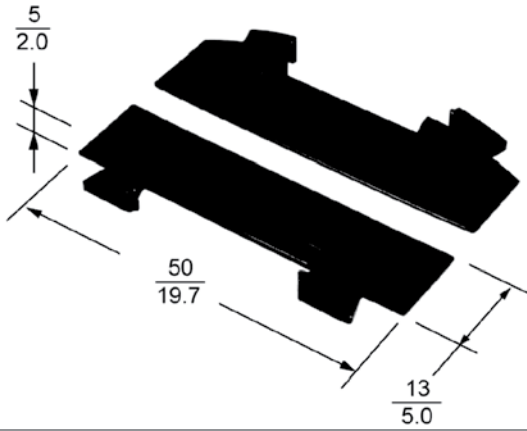


#### Features

Female to female adaptor to connect Defender Midi to competitors cable ramps (sold in pairs, one left & one right)

Part Number	Product Information	Finish	Weight (kg/lbs)	Material
514-85310	Defender 45 degree corner	Yellow	0.70/1.70	Rubber

## Defender MIDI End Ramp

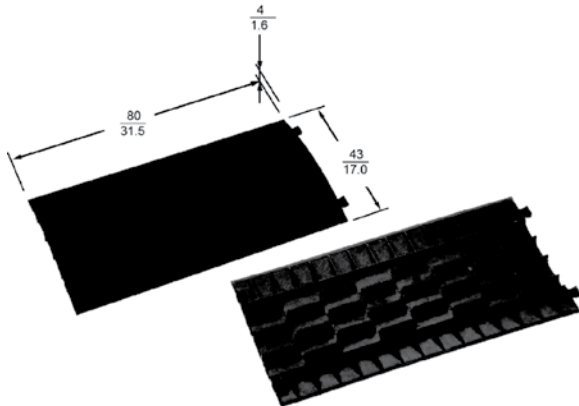


**Features**

- Protects cables from being kinked
- Reduces hazard of tripping
- Each end ramp supplied with 2 connector plugs

Part Number	Product Information	Finish	Weight (kg/lbs)	Material
514-85308	Defender end ramp	Black	1.04/2.30	Polyurethane

## Defender Compact

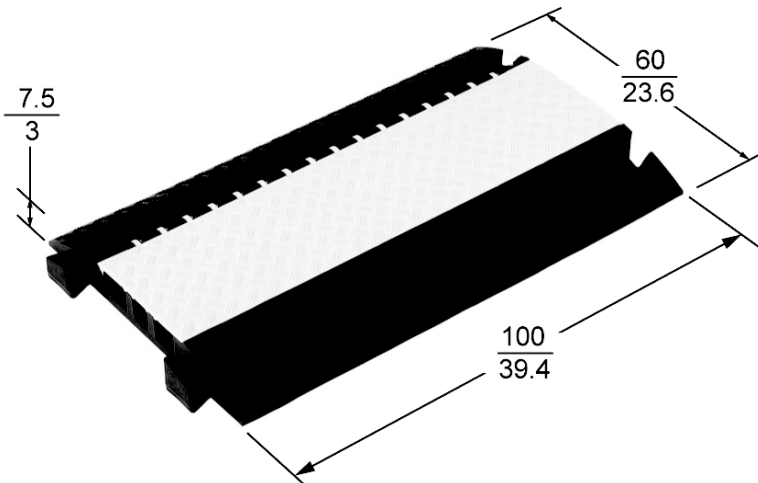


**Features**

- Suitable for cable protection from foot traffic indoors
- Arrangement of supports molded into the bottom allows Defender Compact to be laid over a run of cables
- 7 cable ducts measuring approximately 1-3/16" or 30mm square
- Anti-slip ribbed surface

Part Number	Product Information	Finish	Weight (kg/lbs)	Material
514-85100	Defender compact	Black	3.5/7.7	Polyurethane

## Defender III

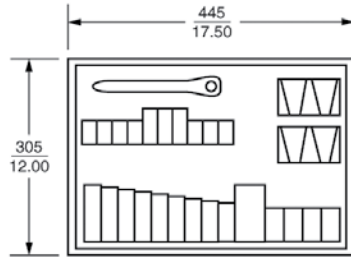
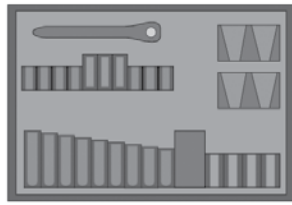


**Features**

- Maximum duty cable crossover with load bearing capacity of 11,000 lbs
- 3 large cable ducts measuring 2" / 50mm x 2-3/16" / 56mm
- Patented interlocking hinged lid for easy loading and unloading
- Locating channels lock lid in place
- Virtually indestructible polyurethane body and lid have high resistance to tearing
- Each crossover has screwed in removable plugs

Part Number	Product Information	Finish	Weight (kg/lbs)	Material
514-85002	Defender III	Black/Yellow	19/41.9	Polyurethane

## Premium Quality Tool Pallet

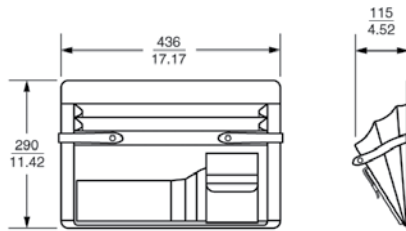
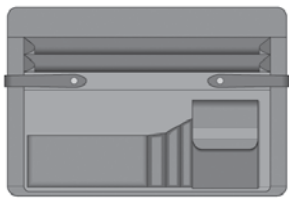


### Features

- Mounts into upper lid of case
- Provides for easy storage of tools (screwdrivers, cutters, pliers etc...)
- Premium quality – built to last

Part Number	Product Information	Finish	Weight (kg/lbs)	Material
<b>514-2311900</b>	Premium quality tool pallet.	Black	.48/1.06	Plastic

## Briefcase Insert

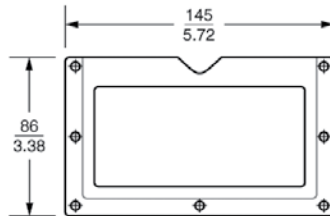


### Features

- Mounts into upper lid of case
- Provides three accordion-style dividers for storing documents
- Additional compartments for storing pens, pencils etc...
- Low cost

Part Number	Product Information	Finish	Weight (kg/lbs)	Material
<b>514-2312900</b>	Industry Standard	Black	.40/.88	Plastic

## Card Holder

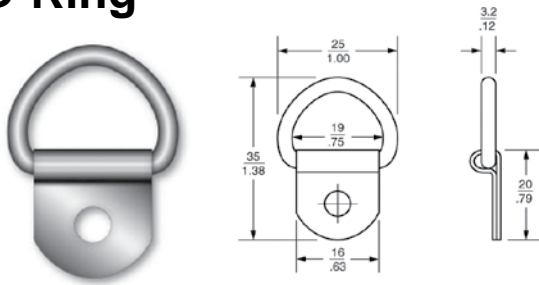


### Features

- Industry standard cardholder
- Holds a standard identification card 76mm x 127mm (3" x 5")
- Nickel-plated

Part Number	Product Information	Finish	Weight (kg/lbs)	Material
<b>514-2135801</b>	3" x 5" card holder.	Nickel	.04/.09	Steel

## D-Ring

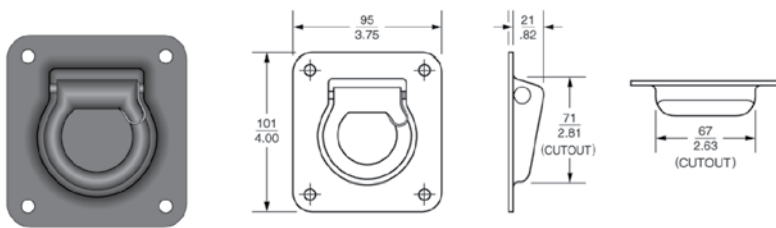


### Features

For securing shoulder strapping on smaller cases  
Can be used as an inexpensive security seal

Part Number	Product Information	Finish	Weight (kg/lbs)	Material
<b>514-2152801</b>	For securing strapping on cases.	Nickel	.01/.02	Steel

## Roping Eye with Spring Loaded Ring

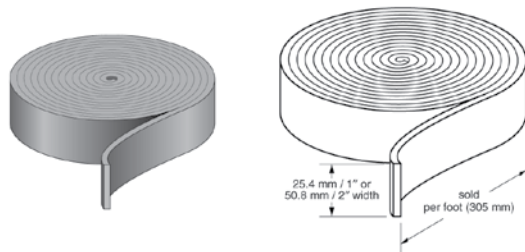


### Features

For use in securing cases or cabinets while in transit  
Spring loaded ring

Part Number	Product Information	Finish	Weight (kg/lbs)	Material
<b>514-2275900</b>	Spring-loaded ring.	Black	.37/.82	Steel

## Black Nylon Strapping



### Features

Black nylon strapping  
25.4mm/1.00" or 50.8mm/2.00" width  
Sold by the foot (304.5mm)

Part Number	Product Information	Finish	Weight (kg/lbs)	Material
<b>514-2121900</b>	2" width - sold by the foot.	Black	.02/.04	Nylon
<b>514-2288900</b>	1" width - sold by the foot.	Black	.01/.02	Nylon

## TCH Tape Measure

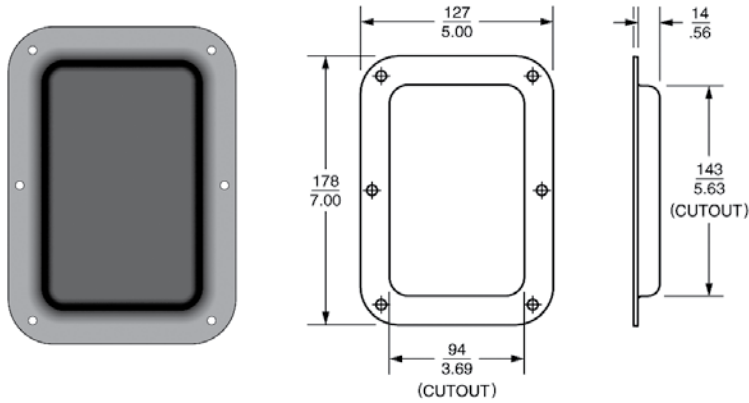


### Features

3/4" x 16 foot nylon coated blade, for long life  
Auto-stop mechanism for blade  
Dual measurement in inches and fractional inches  
Overmold comfort rubber grip design

Part Number	Product Information	Finish	Weight (kg/lbs)	Material
<b>514-9597855</b>	Imperial measurements with fractions scale	Yellow/Black	.03/.07	Rubber/Plastic

## Large Recessed Dish

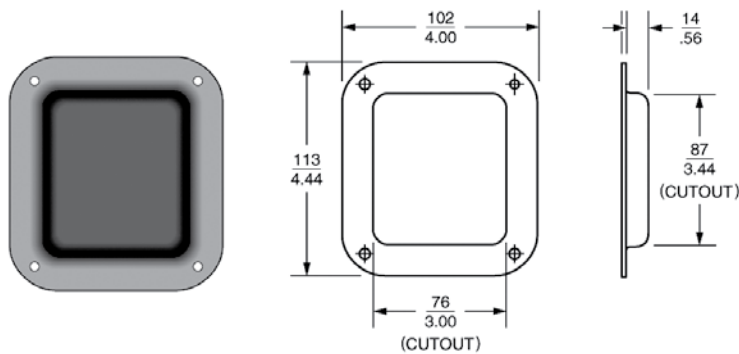


### Features

127mm x 178mm (5" x 7") large size recessed dish  
 User can customize internal hole configuration such as for speaker jack dishes  
 Used as wheel wells for stacking units with casters  
 Only six mounting holes

Part Number	Product Information	Finish	Weight (kg/lbs)	Material
<b>514-450800</b>	5" x 7" dish with 6 mounting holes.	Zinc	.31/.68	Steel

## Medium Recessed Dish

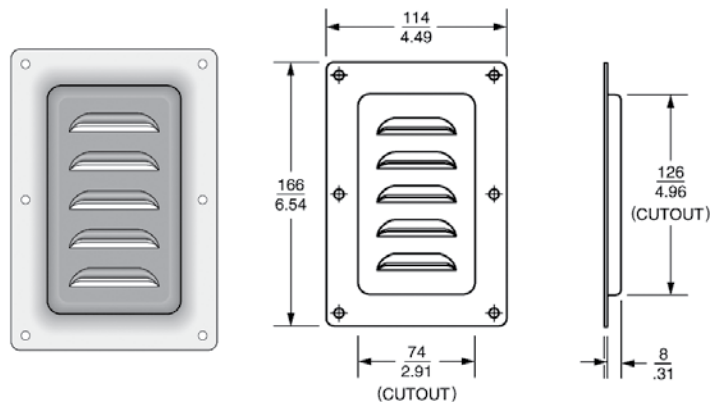


### Features

102mm x 110mm (4" x 4.44") medium size recessed dish  
 User can customize internal hole configuration such as for speaker jack dishes  
 Used as wheel wells for stacking units with casters  
 Only four mounting holes

Part Number	Product Information	Finish	Weight (kg/lbs)	Material
<b>514-490800</b>	4" x 4.44" dish with 4 mounting holes.	Zinc	.15/.33	Steel

## Vertical Mount Louver Dish



### Features

Dish allows for air movement in cases such as wardrobe or rack cases where there is no room for fan panels

Part Number	Product Information	Finish	Weight (kg/lbs)	Material
<b>514-462800</b>	4.49" x 6.54." dish with 6 mounting holes.	Zinc	.17/.36	Steel