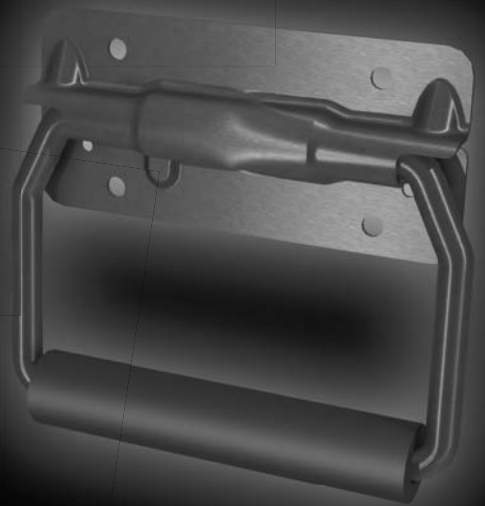
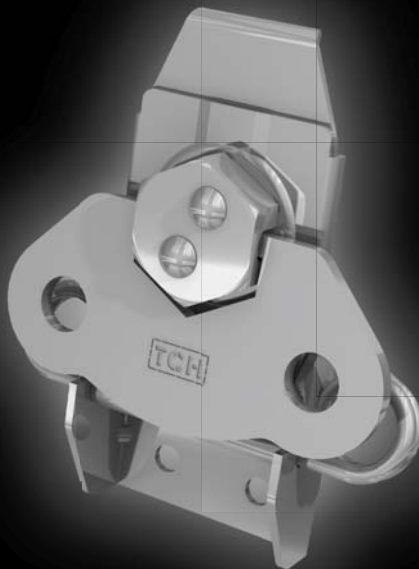




CUSTOMER • HARDWARE • SOLUTIONS

INDUSTRIAL COMPONENTS CATALOG



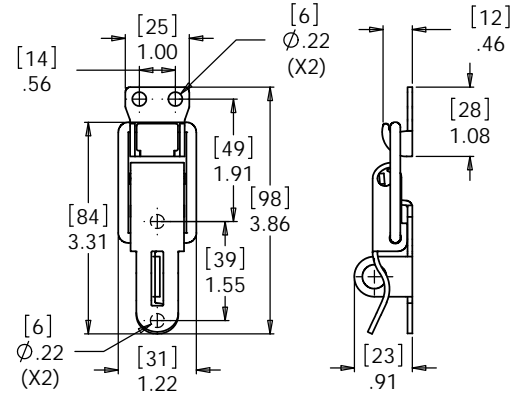
Drawlatches

501-527800

Heavy Duty Over-Center Drawlatch with Padlock Hasp and Strike

Material: Steel | Color/Finish: Zinc plate

- Over-center drawlatch with thick wire bail.
- Strike is supplied with each unit.
- Padlock hasp offers added security.

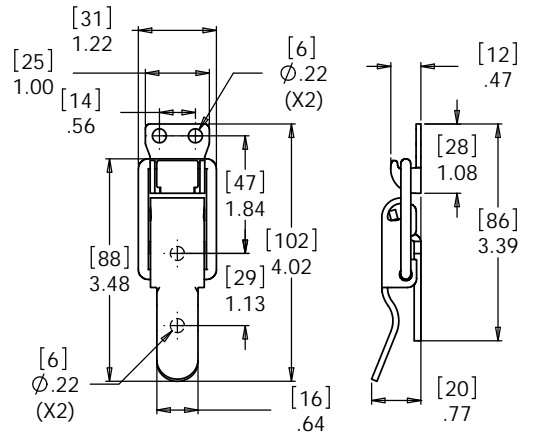


501-528800

Heavy Duty Over-Center Drawlatch and Strike

Material: Steel | Color/Finish: Zinc plate

- Over-center drawlatch with thick wire bail.
- Strike is supplied with each unit.
- Available as a special order item. Minimum order may apply



501-9208800

Compact Heavy Duty Padlockable Straight Loop Drawlatch

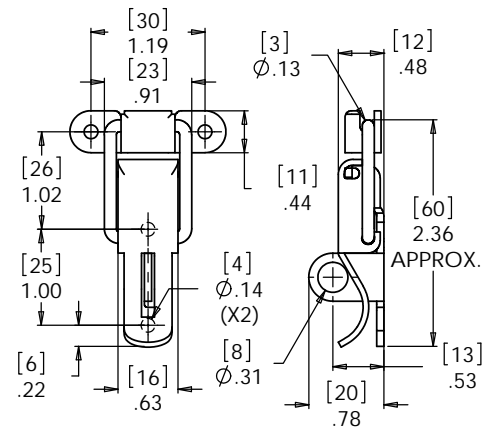
Material: Steel | Color/Finish: Zinc plate

501-9209800

Strike

Material: Steel | Color/Finish: Zinc plate

- Compact over-center drawlatch with high strength wire loop.
- Strong but simple design.
- Padlockable for added security.
- Latch and strike sold separately.



501-9208BL802

Compact Padlockable Bent Loop Drawlatch (welding version)

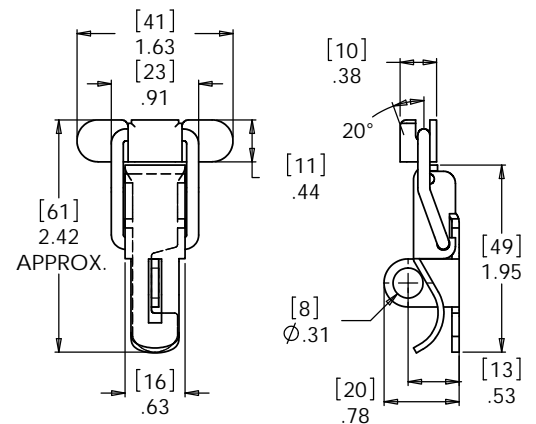
Material: Steel | Color/Finish: Bare metal

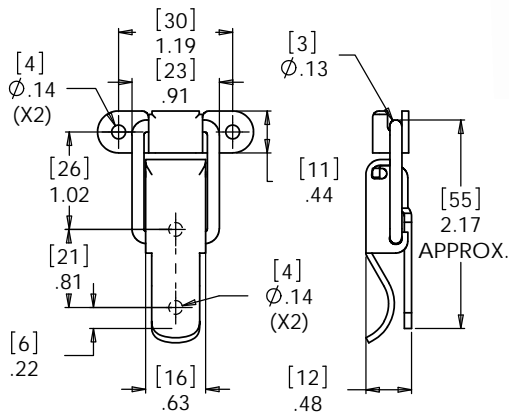
501-9209802

Strike

Material: Steel | Color/Finish: Bare metal

- Compact over-center drawlatch with high strength bent wire loop.
- Padlock feature on finger pull for security.
- For welding applications, Bent loop for offset mounting surfaces.
- Latch and strike sold separately.





501-9238800

Compact Straight Loop Drawlatch

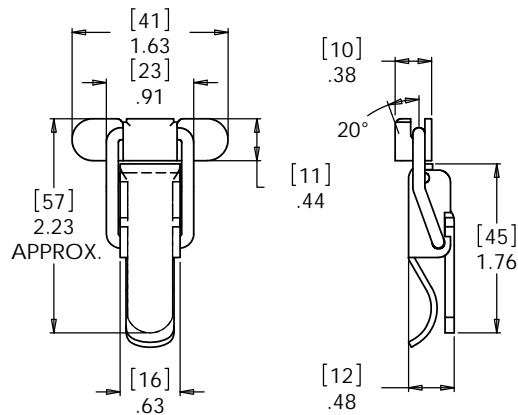
Material: Steel | Color/Finish: Zinc plate

501-9209800

Strike

Material: Steel | Color/Finish: Zinc plate

- Compact over-center drawlatch with high strength wire loop.
- Latch and strike sold separately.



501-9238BL802

Compact Bent Loop Drawlatch

(welding version)

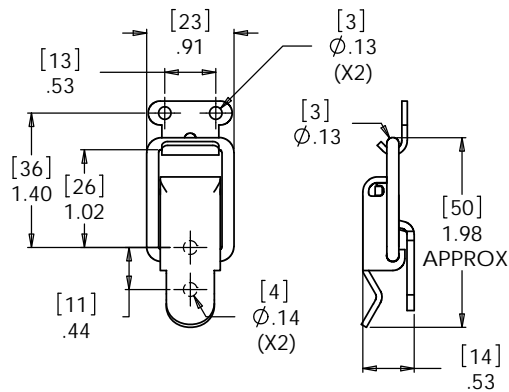
Material: Steel | Color/Finish: Bare metal

501-9209802

Strike

Material: Steel | Color/Finish: Bare metal

- Compact over-center drawlatch with high strength bent wire loop.
- For welding applications (no holes).
- Bent loop for offset mounting surfaces.
- Latch and strike sold separately.



501-9200800

Compact Straight Loop Drawlatch

Material: Steel | Color/Finish: Zinc plate

501-9200805

Material: Stainless Steel | Color/Finish: Bright

501-9201800

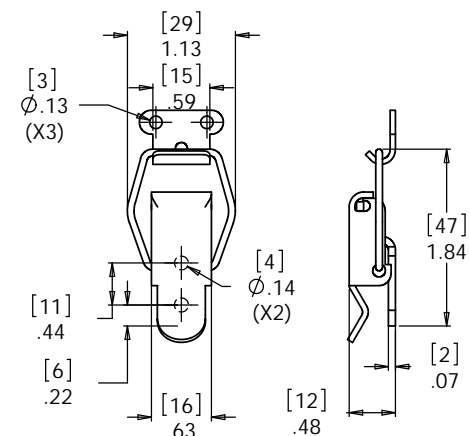
Strike

Material: Steel | Color/Finish: Zinc plate

501-9201805

Material: Stainless Steel | Color/Finish: Bright

- Small over-center drawlatch. Strong, simple, and dependable.
- Latch and strike sold separately.



501-9202805

Compact Spring Loop Drawlatch

Material: Stainless Steel | Color/Finish: Bright

501-9201805

Strike

Material: Stainless Steel | Color/Finish: Bright

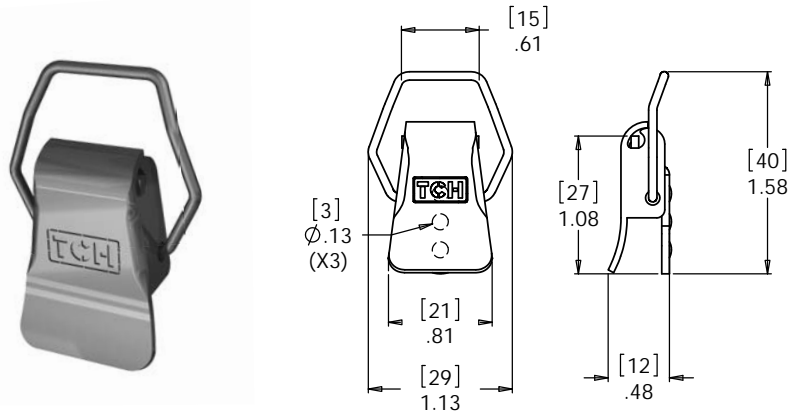
- Medium strength drawlatch.
- Latch and strike sold separately.

501-2210802

Compact Spring Loop Latch

Material: Steel | Color/Finish: Bare Metal

- 3 weld projections on mounting plate.
- Finger lever design.
- Strike 501-2211802 sold separately.

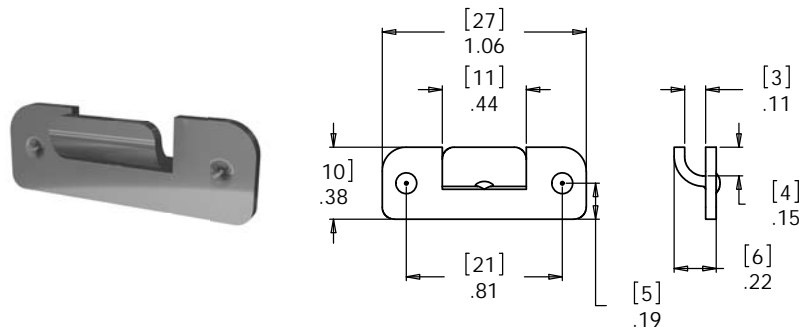


501-2211802

Strike for 501-2210802

Material: Steel | Color/Finish: Bare Metal

- Strike for 501-2210802.
- 2 weld projections
- Sold separately from latch.

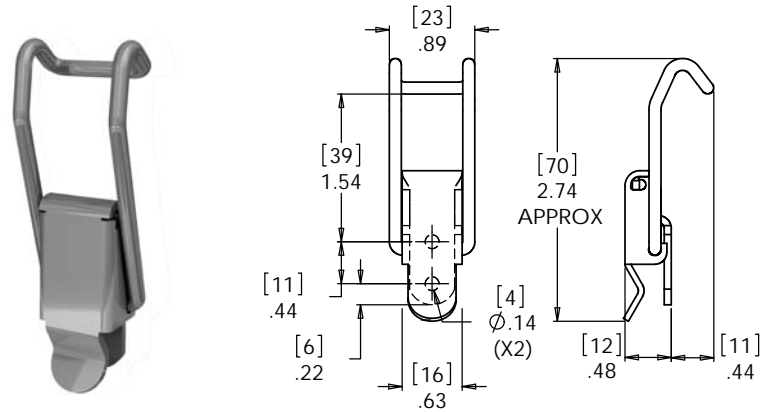


501-9204800

Compact Hooked Loop Drawlatch

Material: Steel | Color/Finish: Zinc Plate

- Spring tensioned hooked loop drawlatch to hold lids, flanges and covers.
- Loop will adjust to take up variation in lid.
- Can be used without a strike



501-9205800

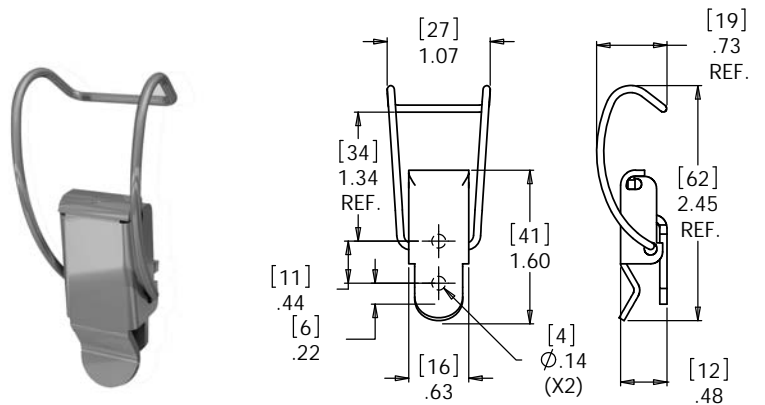
Compact Hooked Loop Drawlatch

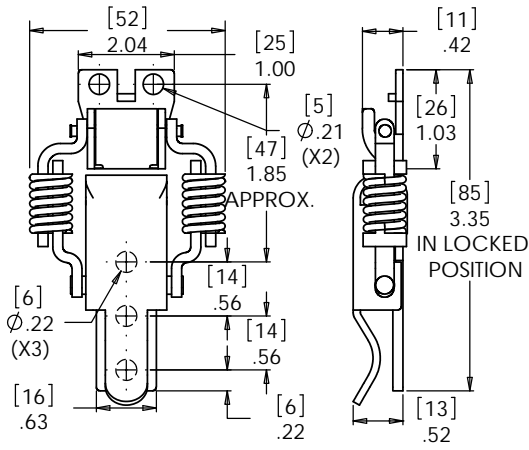
Material: Steel | Color/Finish: Zinc Plate

501-9205805

Material: Stainless Steel | Color/Finish: Bright

- Smallest spring tensioned hooked loop drawlatch to hold lids, flanges and covers.
- Loop is stainless for all versions.
- Loop will adjust to take up variation in lid.
- Can be used without a strike.

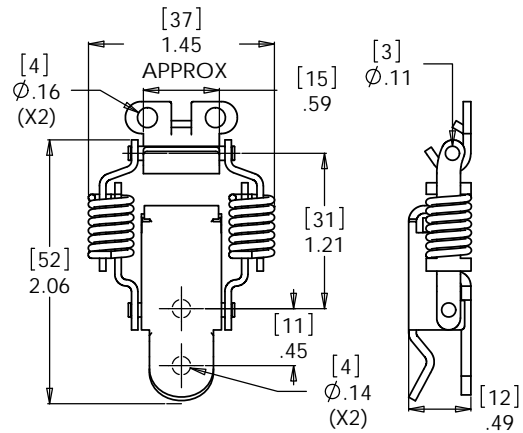




501-9220800
Heavy Duty External Compression Spring Drawlatch
 Material: Steel | Color/Finish: Zinc Plate

501-9221800
Strike with Guide Tab
 Material: Steel | Color/Finish: Zinc Plate

- Compression springs maintain pressure for a secure closure.
- Latch and strike sold separately.

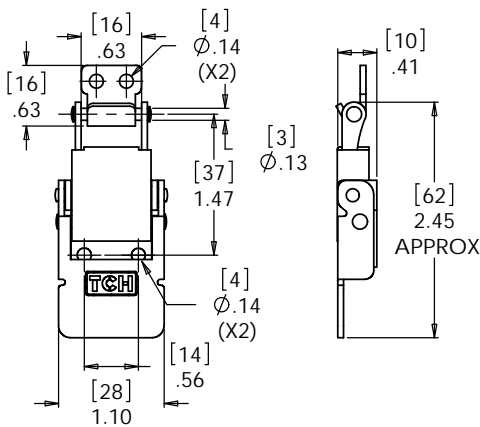


501-9218800
Medium External Compression Spring Drawlatch
 Material: Steel | Color/Finish: Zinc Plate

501-9218805
 Material: Stainless Steel | Color/Finish: Bright

501-9217800
Strike with Guide Tab
 Material: Steel | Color/Finish: Zinc Plate

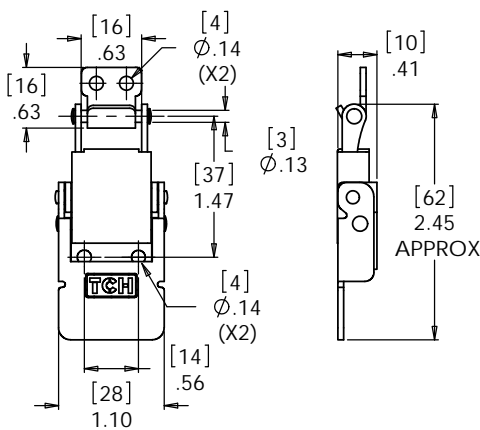
- Compression springs maintain pressure for a secure closure.
- Latch and strike sold separately.



501-9222805
Compression Spring Drawlatch
 Material: Stainless Steel | Color/Finish: Bright

501-9223805
Strike
 Material: Stainless Steel | Color/Finish: Bright

- Three internal compression springs maintain closure and compensate for mating tolerance. Tension can be adjusted depending upon mounting location between latch and strike.
- Heavy duty compression spring latch.
- Latch and strike sold separately.



501-9222815
Compression Spring Drawlatch with Straight Lever
 Material: Stainless Steel | Color/Finish: Black Oxide

501-9223815
Strike
 Material: Stainless Steel | Color/Finish: Black Oxide

- Three internal compression springs maintain closure and compensate for mating tolerance. Tension can be adjusted depending upon mounting location between latch and strike.
- Latch and strike sold separately.
- Available as a special order item. Minimum order may apply.

501-9225805

Compression Spring Drawlatch with Straight Lever (0.130" dia. holes)

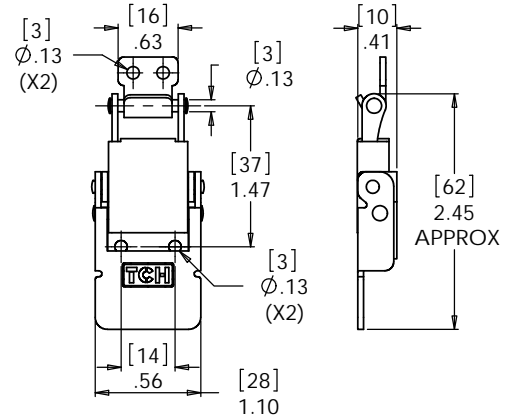
Material: Stainless Steel | Color/Finish: Bright

501-92235805

Strike (0.130" dia. holes)

Material: Stainless Steel | Color/Finish: Bright

- Three internal compression springs maintain closure and compensate for mating tolerance. Tension can be adjusted depending upon mounting location between latch and strike.
- 0.130" diameter mounting holes. Latch and strike sold separately.
- Available as special order items. Minimum order may apply.

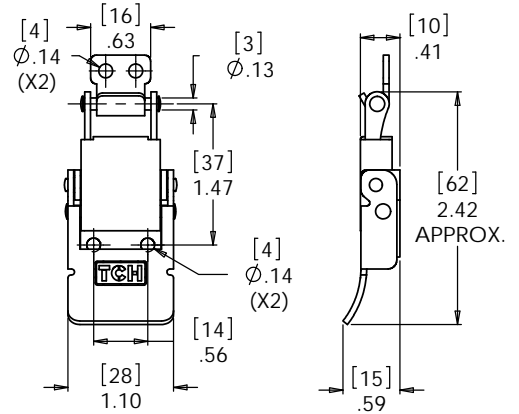


501-9224805

Compression Spring Drawlatch with Upswept Lever

Material: Stainless Steel | Color/Finish: Bright

- Three internal compression springs maintain closure and compensate for mating tolerance. Tension can be adjusted depending upon mounting location between latch and strike.
- Heavy duty compression spring latch.
- Upswept lever design.
- Goes with 501-9223805 strike.
- Latch and strike sold separately.

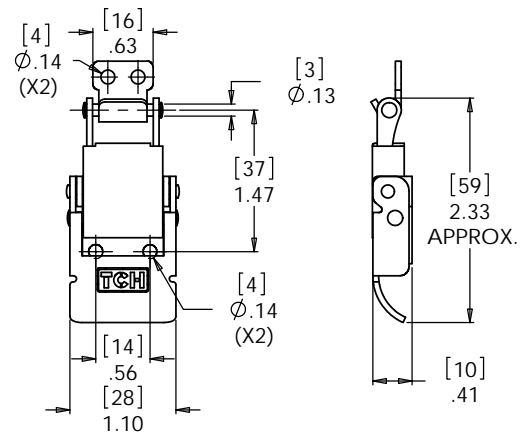


501-9225805

Compression Spring Drawlatch with Downswept Lever

Material: Stainless Steel | Color/Finish: Bright

- Three internal compression springs maintain closure and compensate for mating tolerance. Tension can be adjusted depending upon mounting location between latch and strike.
- Heavy duty compression spring latch.
- Downswept lever design.
- Goes with 501-9223805 strike.
- Latch and strike sold separately.



501-92255805

Compression Spring Drawlatch with Downswept Lever (0.130" dia holes)

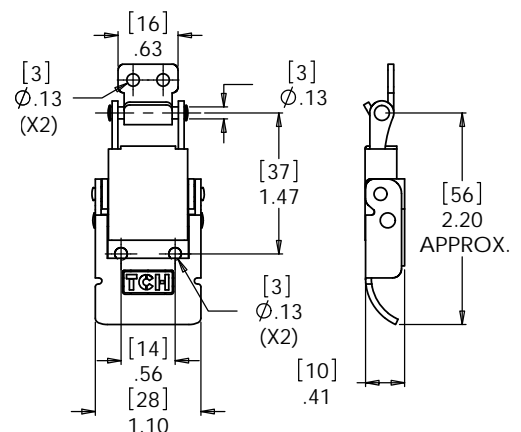
Material: Stainless Steel | Color/Finish: Bright

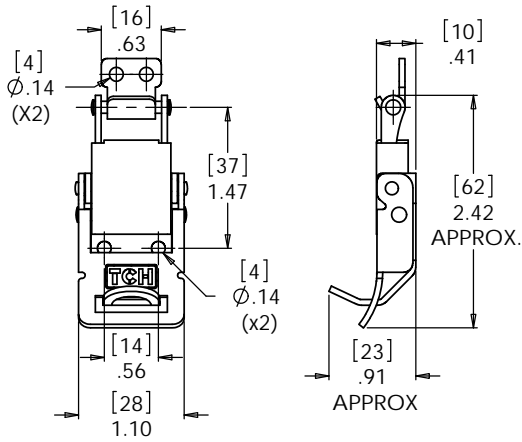
- Goes with 501-92235805 strike.

501-92255815

Material: Stainless Steel | Color/Finish: Black oxide

- Goes with 501-92235815 strike.
- Latch and strike sold separately.
- Available as special order items. Minimum order may apply.



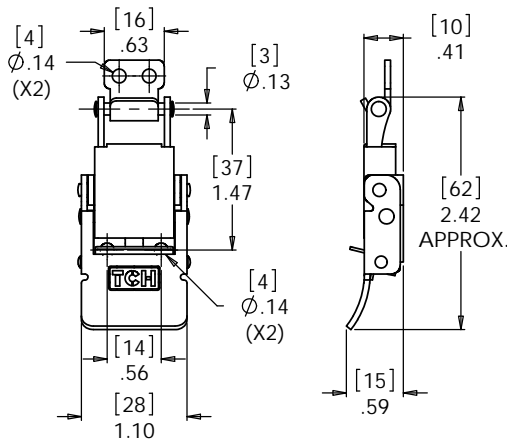


501-9226805

Padlockable Compression Spring Drawlatch with Upswept Lever

Material: Stainless Steel | Color/Finish: Bright

- Padlockable for extra security option.
- Three internal compression springs maintain closure and compensate for mating tolerance. Tension can be adjusted depending upon mounting location between latch and strike
- Goes with 501-9223805 strike.
- Latch and strike sold separately.

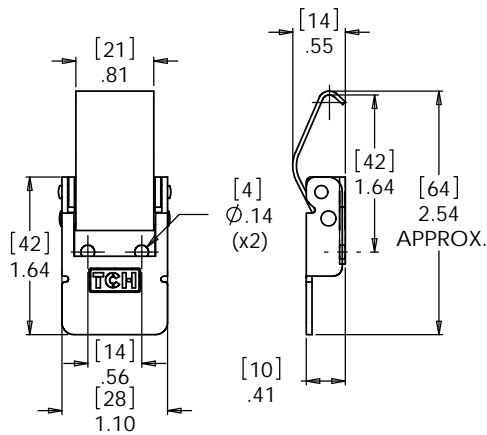


501-9228805

Compression Spring Drawlatch with Release Lever

Material: Stainless Steel | Color/Finish: Bright

- Contains a secondary retaining lever. Secondary lever must be pushed to open. Secondary lever resists vibration.
- Heavy duty compression spring latch.
- Three internal compression springs maintain closure and compensate for mating tolerance. Tension can be adjusted depending upon mounting location between latch and strike.
- Goes with 501-9223805 Strike.
- Latch and strike sold separately.



501-9231800

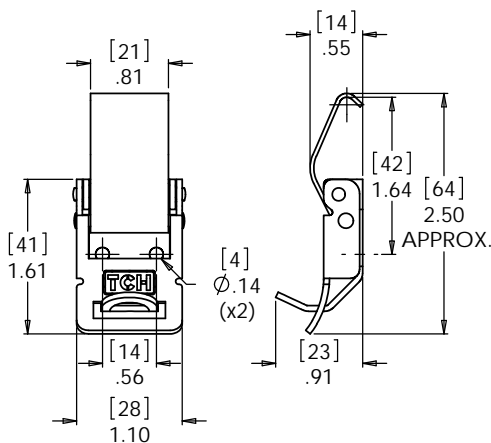
Spring Hook Drawlatch

Material: Steel | Color/Finish: Zinc Plate

501-9231805

Material: Stainless Steel | Color/Finish: Bright

- Stainless steel spring compression hook maintains closure and compensates for mating tolerances.



501-9232805

Padlockable Spring Hook Drawlatch

Material: Stainless Steel | Color/Finish: Bright

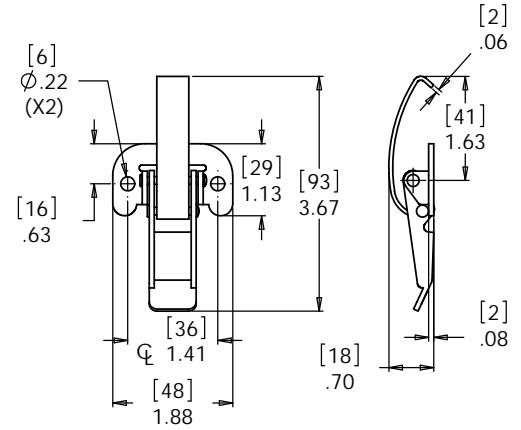
- Stainless steel spring compression hook maintains closure and compensates for mating tolerances.
- Security option to padlock lever.
- Available as a special order item.
- Minimum order may apply.

501-529800

Lever Operated Drawlatch with flat mounting plate

Material: Steel | Color/Finish: Zinc plate

- Lever-operated drawlatch with flat mounting plate
- Self-compensating spring steel blade allows for tension adjustment
- Uses strike 501-532800.
- Latch and strike sold separately.

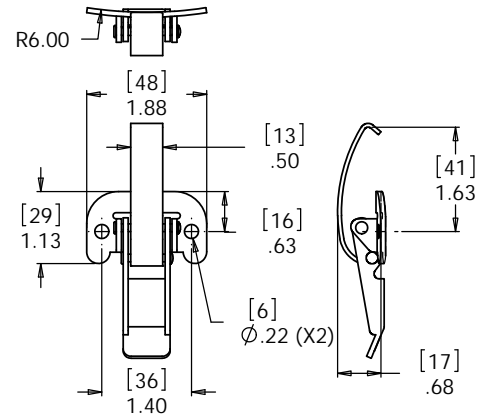


501-530800

Lever Operated Drawlatch with curved mounting plate

Material: Steel | Color/Finish: Zinc plate

- 6" radius curve mounting plate
- Self-compensating spring steel blade allows for tension adjustment
- Uses strike 501-532800.
- Latch and strike sold separately.

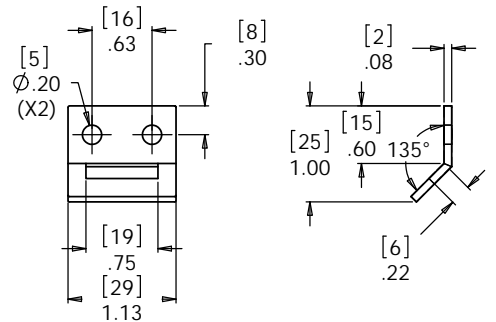


501-532800

Strike for 501-529800 and 501-530800

Material: Steel | Color/Finish: Zinc plate

- Strike for use with 501-529800 and 501-530800 drawlatches.
- Latch and strike sold separately.

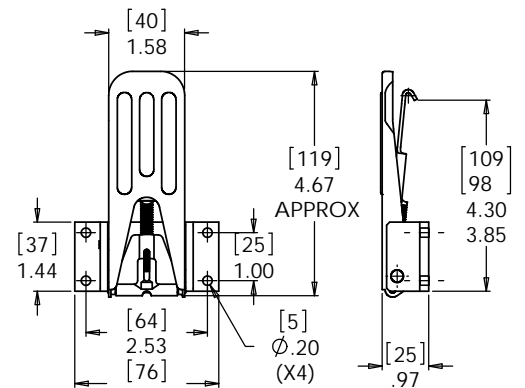


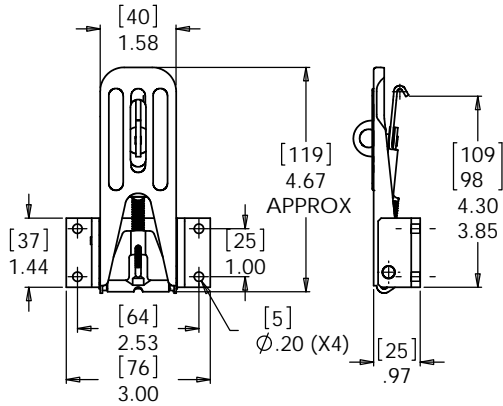
501-9214800

Medium Adjustable Drawlatch

Material: Steel / Aluminum | Color/Finish: Zinc plate / Plain

- Threaded shaft allows latch to be adjusted after installation.
- Strike is concealed when latched.
- Latch and strike sold separately.
- Uses strike 501-9215800.
- Available as a special order item. Minimum order may apply.



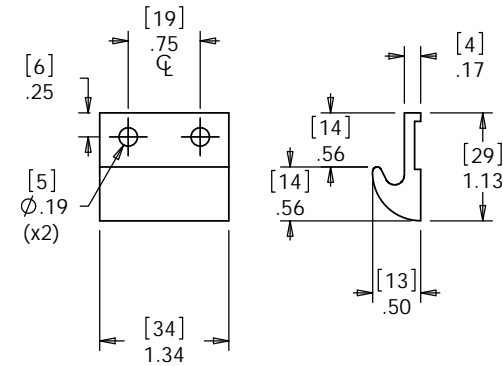


501-9216800

Heavy Duty Adjustable Drawlatch

Material: Steel / Aluminum | Color/Finish: Zinc plate / Plain

- Threaded shaft allows latch to be adjusted after installation.
- Strike is concealed when latched.
- Padlock eye loop swivel can be rotated 90 degrees.
- Uses strike 501-9215800.
- Latch and strike sold separately.
- Available as a special order item. Minimum order may apply.



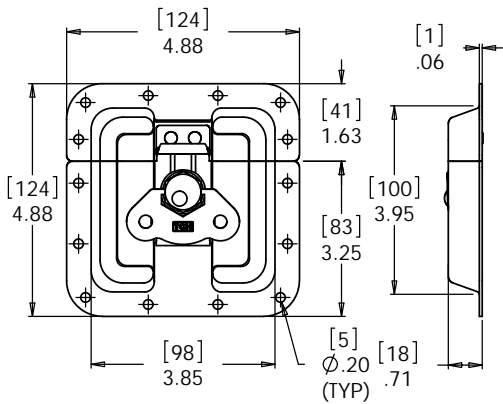
501-9215800

Strike

Material: Aluminum | Color/Finish: Plain

- Strike for use with 501-9214800 and 501-9216800 drawlatches.
- Latch and strike sold separately.
- Available as a special order item. Minimum order may apply.

Twist Latches

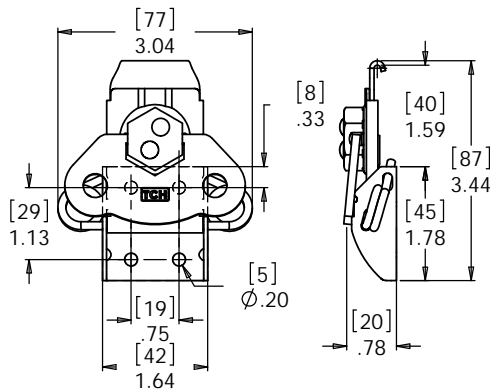


501-423800

Protected Surface Mount Twist Lock

Material: Steel | Color/Finish: Zinc Plate

- Critical twist latch components are protected by a steel rib surrounding the latch.
- Spring-loaded anchor plate automatically compensates for up to 0.16" [4mm] misalignment.
- 180 degree turn, locks and unlocks the unit.



501-540800

Large Twist Lock

Material: Steel | Color/Finish: Zinc Plate

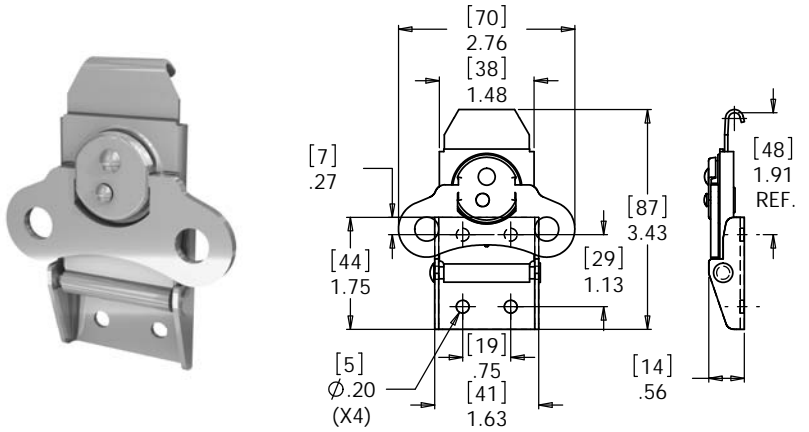
- Spring-loaded anchor plate automatically compensates for up to 0.16" [4mm] misalignment.
- Easy operation actuated by fingertip pressure on the wing.
- 180 degree turn, locks and unlocks the unit.
- Uses 501-541800 large keeper plate.
- Latch and keeper plate sold separately.

501-2443800

Large Riveted Twist Lock

Material: Steel | Color/Finish: Zinc Plate

- Flat cam for lower profile.
- Ideal for crates.
- Easy operation actuated by fingertip pressure on the wing.
- 180 degree turn, locks and unlocks the unit.
- Uses 501-541800 large keeper plate.
- Latch and keeper plate sold separately.

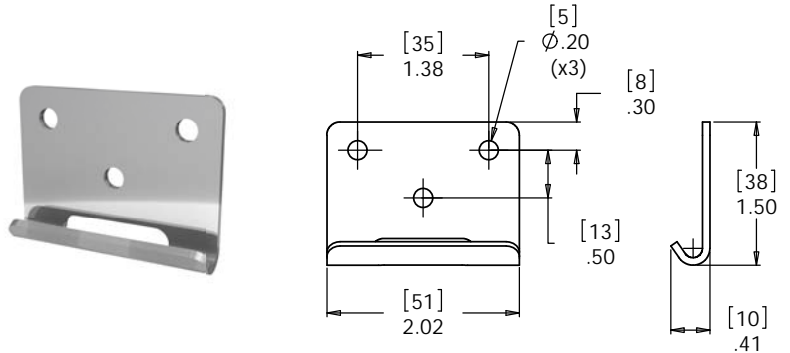


501-541800

Large Keeper plate

Material: Steel | Color/Finish: Zinc Plate

- For use with 501-540800 and 501-2443800 drawlatches.
- Latch and keeper plate sold separately.

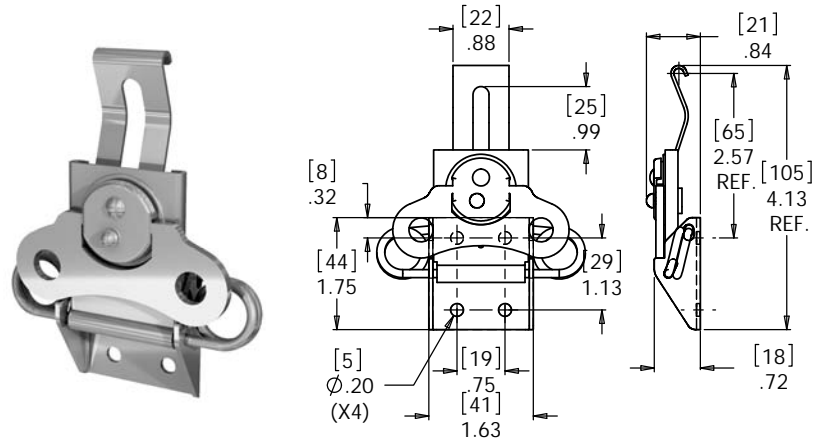


501-2444800

Large Padlockable Twist Lock

Material: Steel | Color/Finish: Zinc plate

- Spring loaded anchor plate automatically compensates for up to .11" [2.7mm] of misalignment.
- Easy operation, 180 degree turn to lock and unlock.
- Integrated padlock hasp for security option.
- Uses keeper plate 501-2445800.
- Latch and keeper plate sold separately.

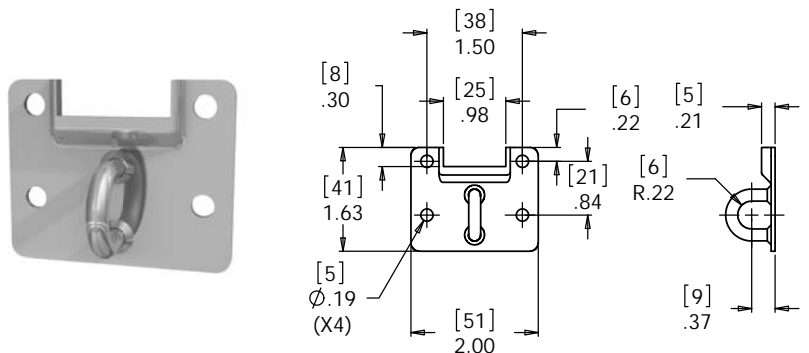


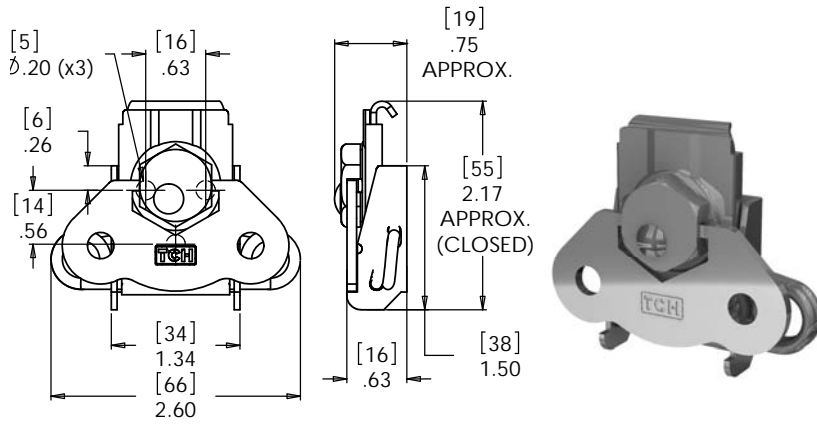
501-2445800

Large Padlockable Keeper Plate

Material: Steel | Color/Finish: Zinc plate

- For use with 501-2444800.
- Latch and keeper plate sold separately.



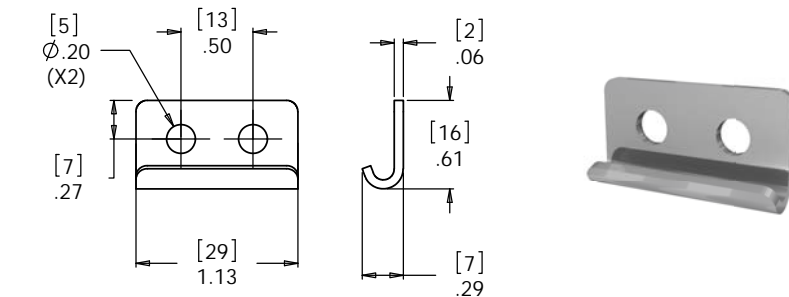


501-583800

Medium Twist Lock

Material: Steel | Color/Finish: Zinc plate

- Spring-loaded anchor plate automatically compensates for up to 0.16" [4mm] misalignment.
- Easy operation actuated by fingertip pressure on the wing
- Anchor plate is staked to keep the latch from falling open.
- Uses keeper plate 501-584800.
- Latch and keeper plate sold separately.

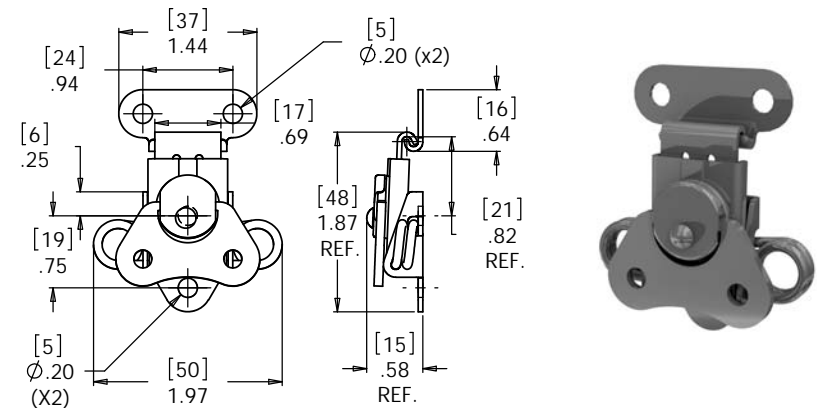


501-584800

Medium Keeper Plate

Material: Steel | Color/Finish: Zinc plate

- For use with 501-584800.
- Latch and keeper plate sold separately.



501-2481800

Small Twist Lock

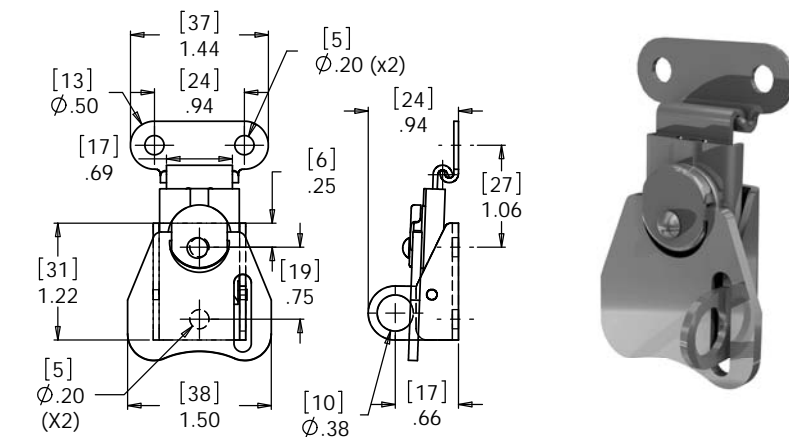
Material: Steel | Color/Finish: Zinc plate

501-2487800

Small Keeper Plate

Material: Steel | Color/Finish: Zinc plate

- Spring-loaded anchor plate automatically compensates for up to 0.11" [2.7mm] misalignment.
- 0.20" [5mm] dia. mounting holes.
- 180 degree turn to lock and unlock. 2000N/450lbs carrying limit.
- Latch and keeper plate sold separately.



501-2485800

Small Padlockable Twist Catch

Material: Steel | Color/Finish: Zinc plate

501-2487800

Small Keeper Plate

Material: Steel | Color/Finish: Zinc plate

- 180 degree turn, locks and unlocks the unit.
- Spring-loaded anchor plate automatically compensates for up to 0.11" [2.7mm] misalignment. Easy operation.
- Padlock feature for security option.
- Latch and keeper plate sold separately.

501-2484800

Compact Twist Catch

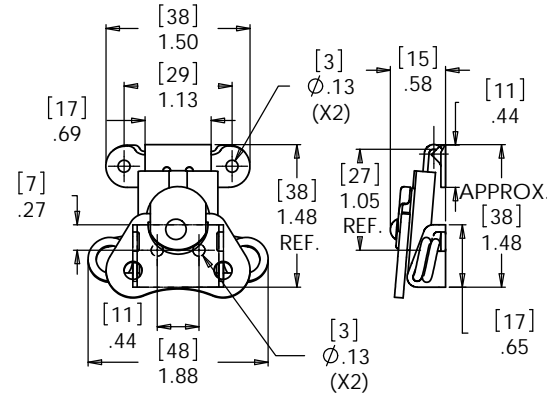
Material: Steel | Color/Finish: Zinc Plate

501-2488800

Concealed Keeper Plate

Material: Steel | Color/Finish: Zinc plate

- Spring-loaded anchor plate automatically compensates for up to 0.11" [2.7mm] misalignment. Easy operation.
- 1/8" [3mm] dia. mounting hole for both the latch and keeper
- 180 degree turn to lock and unlock. 2000N/450lbs carrying limit.
- Latch and keeper plate sold separately.



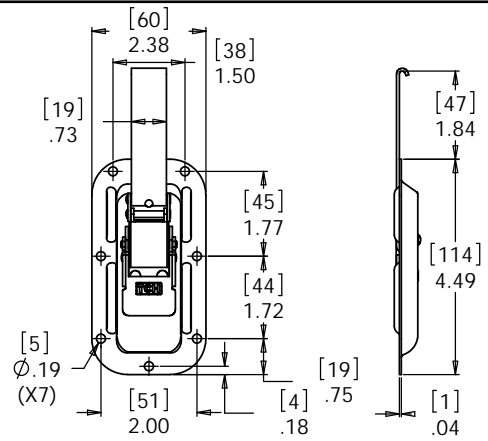
Recessed Latches

501-505800

Recessed Lever Operated Drawlatch

Material: Steel | Color/Finish: Zinc plate

- Spring compression latch provides heavy clamping pressure.
- Narrow Dish allows for mounting in restricted space.
- Uses strike 501-515800.
- Latch and strike sold separately.

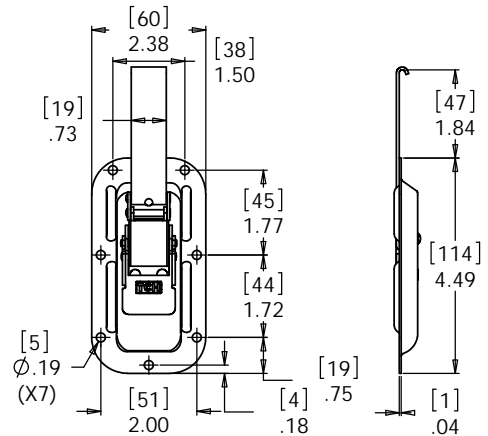


501-506800

Recessed Lever Operated Drawlatch with Release Lever

Material: Steel | Color/Finish: Zinc plate

- Resists vibration. Secondary security option that requires a finger push to release lever.
- Spring compression latch provides heavy clamping pressure.
- Narrow Dish allows for mounting in restricted space.
- Uses strike 501-515800.
- Latch and strike sold separately.

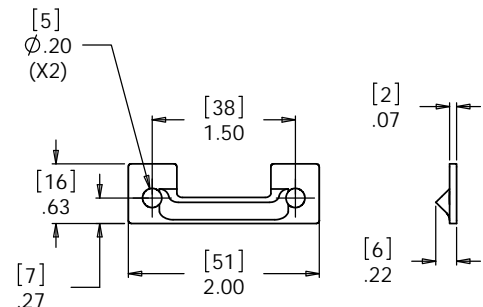


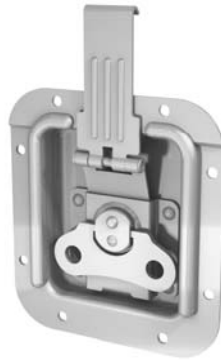
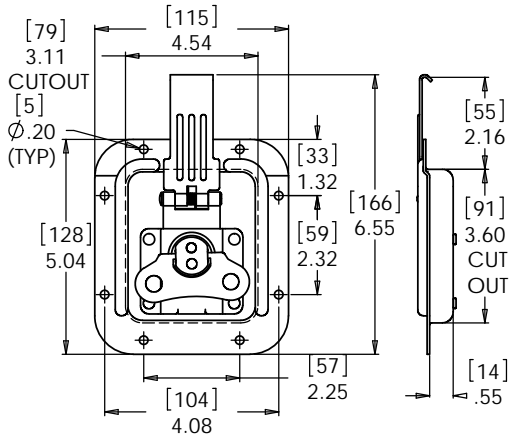
501-515800

Strike

Material: Steel | Color/Finish: Zinc plate

- Strike for 501-505800 and 501-506800 drawlatches.
- Latch and strike sold separately.



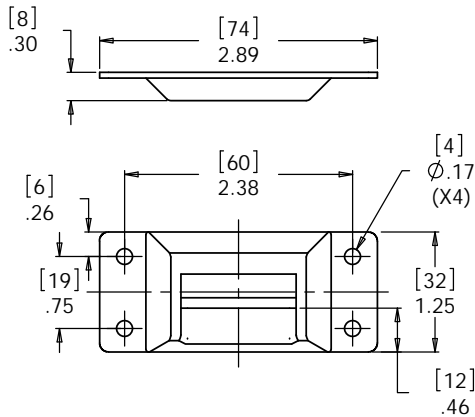


501-430800

Valance Spanning Recessed Twist Catch with 7/8" Offset

Material: Steel | Color/Finish: Zinc Plate

- Ribbed dish protects the twist catch.
- Blade springs back into the recessed area of the dish.
- 2-3/4" blade length.
- Latch and strike sold separately.

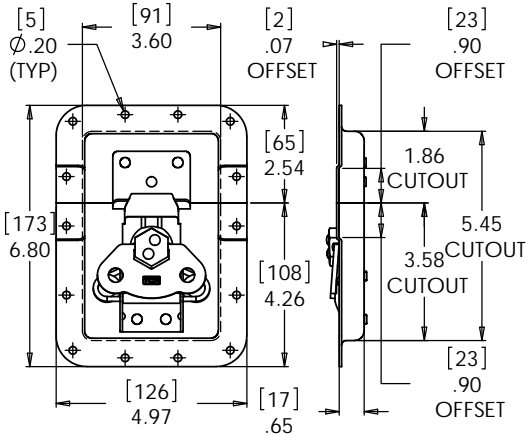


501-433800

Surface Mount Strike

Material: Steel | Color/Finish: Zinc Plate

- Strike protects the catch blade by deflecting side blows.
- Design ensures blade disengagement when unlatching.
- Strike for use with 501-430800.
- Latch and strike sold separately.

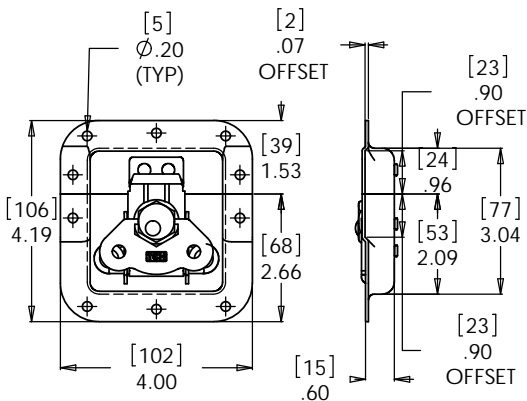


501-25101800

Large Recessed Low Mount Twist Catch with 7/8" Offset

Material: Steel | Color/Finish: Zinc plate

- Large twist catch with oversized recessed dish offset for standard 7/8" extrusions.
- Anchor plate is staked to keep the latch from falling open
- Latch on dish feature secures blade to dish preventing damage to lock when case is open
- Available with optional kickout spring.



501-5731800

Medium Recessed Twist Catch with 7/8" Offset

Material: Steel | Color/Finish: Zinc plate

- 7/8" offset to fit over extrusions.
- Heavy duty twist catch mounted in a medium recessed dish.
- Anchor plate is staked to keep the latch from falling open.
- Available with optional kickout spring

Roto-Locks

555-R5007407

Dual Lock Roto-Lock - Latch

Material: Steel | Color/Finish: Zinc Plate

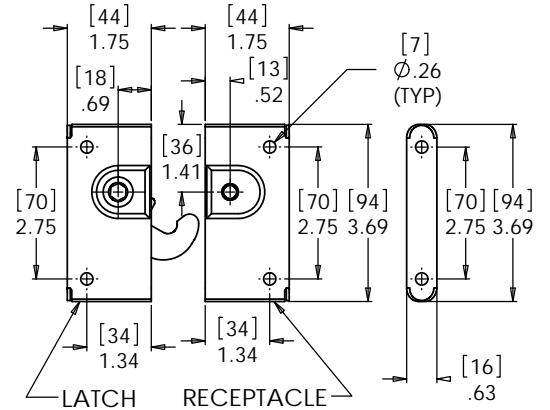
555-R5007907

Dual Lock Roto-Lock - Receptacle

Material: Steel | Color/Finish: Zinc Plate

- High tensile load.
- Consistent draw action.
- Latch and Receptacle sold separately.

southco®



555-R2025902

Shallow Tab Roto-Lock - Latch

Material: Steel | Color/Finish: Zinc Plate

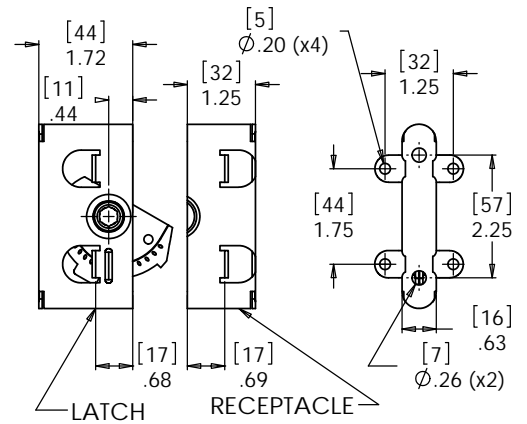
555-R2025702

Shallow Tab Roto-Lock - Receptacle

Material: Steel | Color/Finish: Zinc Plate

- Ideal for joining two panels of 3/4" plywood face-to-face
- Lock is zinc plated with a bright chromate dip to prevent oxidation.
- Latch and Receptacle sold separately.

southco®



555-R2016902

Deep Tab Roto-Lock - Latch

Material: Steel | Color/Finish: Zinc Plate

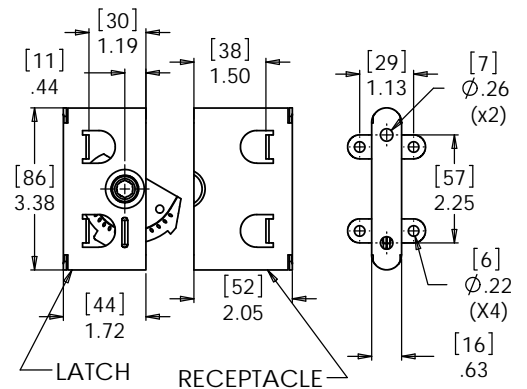
555-R2016002

Deep Tab Roto-Lock - Receptacle

Material: Steel | Color/Finish: Zinc Plate

- Ideal for use with thicker materials or for locator mounting
- Lock is zinc plated with a bright chromate dip to prevent oxidation.
- Latch and Receptacle sold separately.

southco®



555-R2005502

Standard Roto-Lock - Latch

Material: Steel | Color/Finish: Zinc Plate

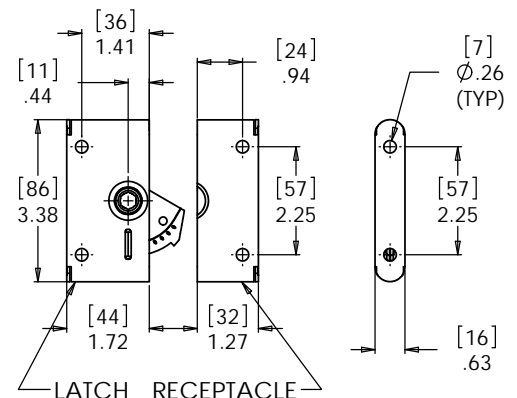
555-R2000202

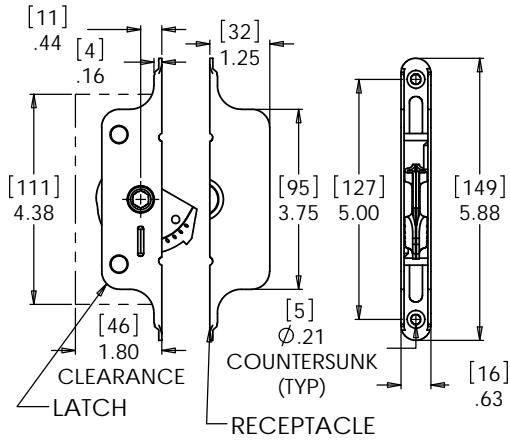
Standard Roto-Lock - Receptacle

Material: Steel | Color/Finish: Zinc Plate

- Ideal for joining end-to-end or for use with thick materials.
- Can be recessed or surface mounted.
- Lock is zinc plated with a bright chromate dip to prevent oxidation.
- Latch and Receptacle sold separately.

southco®





555-R2026702

Front Mount Roto-Lock - Latch
Material: Steel | Color/Finish: Zinc Plate

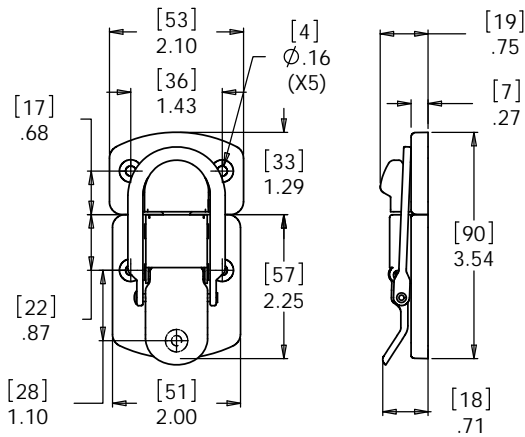
555-R2026802

Front Mount Roto-Lock - Receptacle
Material: Steel | Color/Finish: Zinc Plate

- Progressively draws panels together.
- Mounts from the front of the panel. Installation can be accomplished from outside the panel
- Provides up to 2700N / 600lbs of tension.
- Latch and Receptacle sold separately.



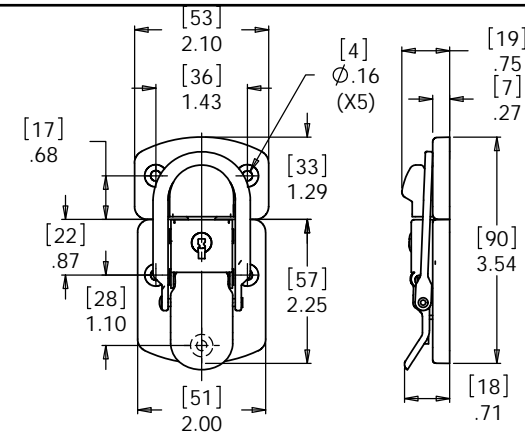
Decorative Drawlatches



501-600801

Heavy Duty Decorative Drawlatch
Material: Steel | Color/Finish: Nickel plate

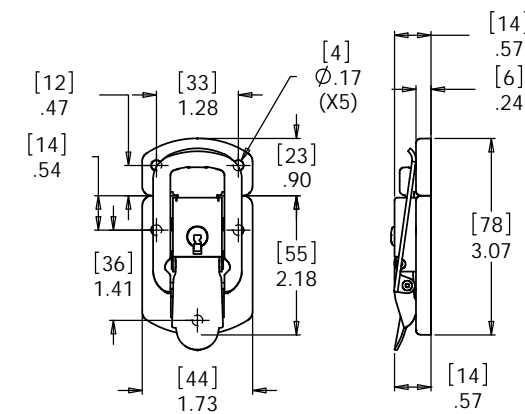
- Heavy duty drawlatch.
- Bright nickel finish
- 5 countersunk mounting holes
- Strike is supplied with each unit



501-601801

Heavy Duty Decorative Drawlatch with Key lock
Material: Steel | Color/Finish: Nickel plate

- Heavy duty drawlatch
- Keylockable for added security
- Bright nickel finish
- 5 countersunk mounting holes
- Strike is supplied with each unit
- Supplied with one key



501-611801

Light Duty Decorative Drawlatch with Key lock
Material: Steel | Color/Finish: Nickel plate

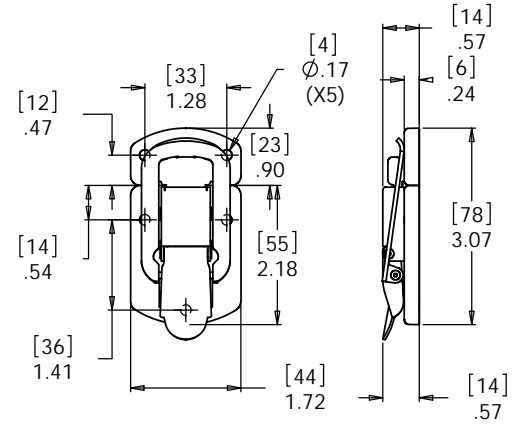
- Light duty drawlatch.
- Keylockable for added security
- Bright nickel finish
- 5 countersunk mounting holes
- Strike is supplied with each unit
- Supplied with one key

501-612801

Light Duty Decorative Drawlatch

Material: Steel | Color/Finish: Nickel plate

- Light duty drawlatch.
- Bright nickel finish
- 5 countersunk mounting holes
- Strike is supplied with each unit



Surface Mount Handles

500-149800

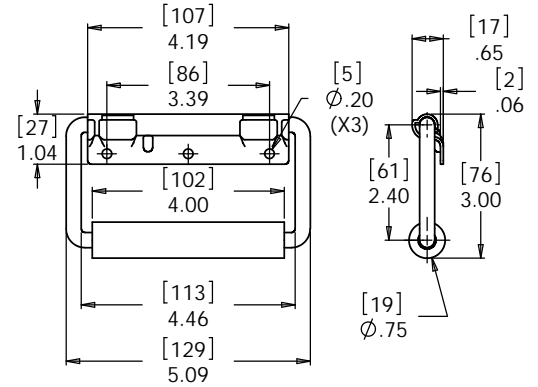
Medium Surface Mount Handle

Material: Steel | Color/Finish: Zinc Plate

500-149900

Material: Steel | Color/Finish: Black

- Short retainer plate height allows for mounting into restricted places.
- All mounting holes are located below the pivot point.
- Full 3/4" [19mm] padded grip for comfort.
- Spring-loaded bail stops at 90 degrees and springs back when not in use.



500-135800

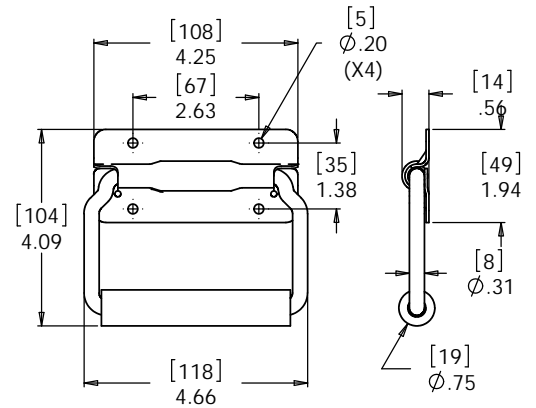
Heavy Duty Surface Mount Handle

Material: Steel | Color/Finish: Zinc plate

500-135805

Material: Stainless Steel | Color/Finish: Bright

- Bail stops at 90 degrees.
- Spring load bail returns to flat position when not in use.
- Full 3/4" [19mm] padded grip for comfort.
- 4 mounting holes.
- Available with stainless steel and black oxide finish as a special order item.

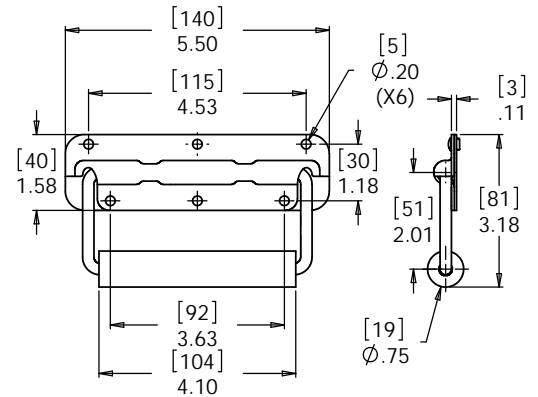
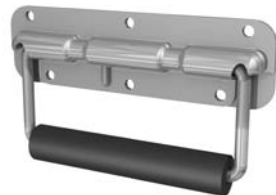


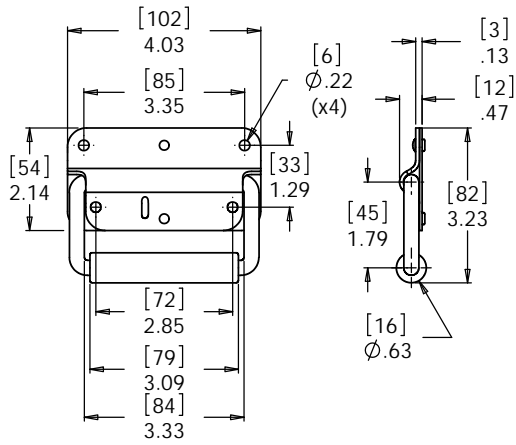
500-141800

Surface Mount Handle

Material: Steel | Color/Finish: Zinc Plate

- Bail stops at 90 degrees and springs back when not in use.
- Full 3/4" [19mm] padded grip for comfort.
- Back plate has no offset.
- Surface mount design.



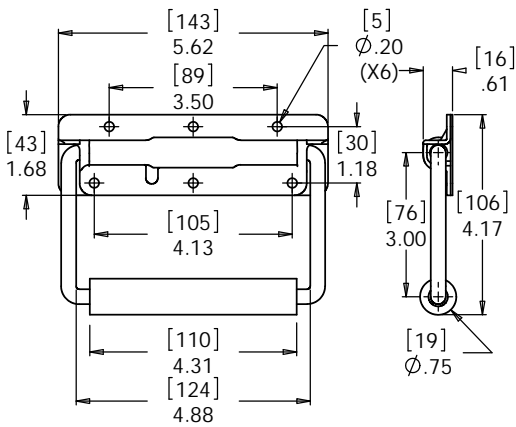


500-147800

Small Heavy Duty Surface Mount Handle

Material: Steel | Color/Finish: Zinc plate

- Heavy-duty handle in a compact size.
- Bail stops at 90 degrees, and springs back when not in use.
- Ideal for shallow cases and smaller applications.
- 5/8" [16mm] padded grip for comfort.
- Surface mount design.

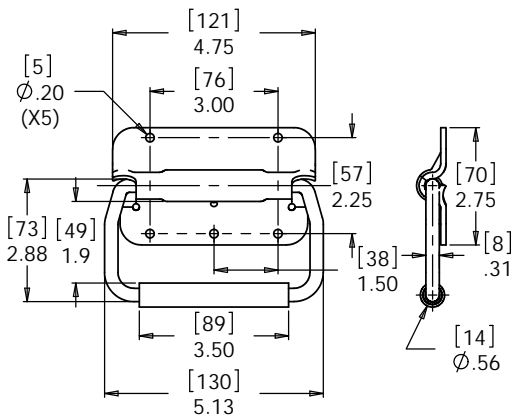


500-145800

Large Surface Mount Handle

Material: Steel | Color/Finish: Zinc Plate

- Bail stops at 90 degrees, and springs back when not in use.
- Full 3/4" [19mm] padded grip for comfort.
- 6 mounting holes.
- Surface mount design.

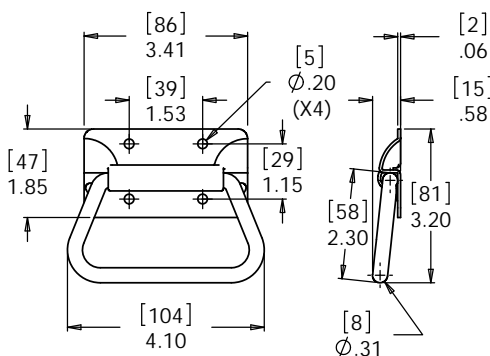


500-945806

Large Aluminium Surface Mount Handle

Material: Aluminum | Color/Finish: Anodized

- Bail stops at 90 degrees.
- Spring load bail returns to flat position when not in use.
- Aluminum sleeve under grip to prevent slippage.
- Can be order with different plate and bail materials as special order item.
- Available as military drawing MS-18012 as a special order item.



500-150800

Medium Chest Handle

Material: Steel | Color/Finish: Zinc Plate

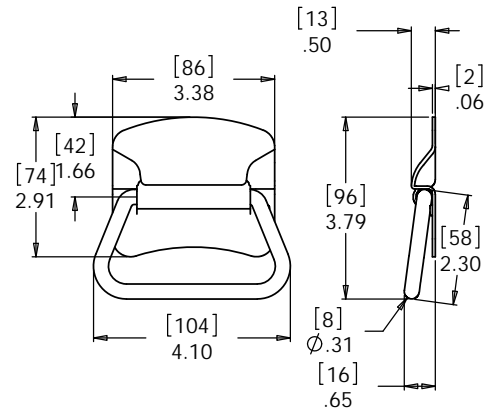
- All Steel Construction.
- Bail stops at 90 degrees.
- Bail slightly offset to facilitate grasping.
- Surface mount design.
- Economically priced.

500-1335802

Surface Mount Chest Handle

Material: Steel | Color/Finish: Bare Metal

- For welding application, without mounting holes.
- All steel construction.
- Bail stops at 90 degrees.
- Bare metal finish for easy plating or painting.

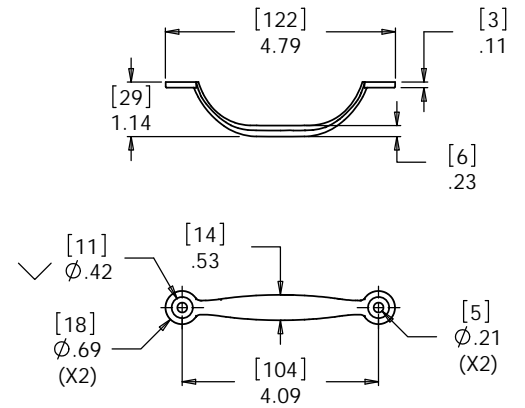


500-153804

Chrome Utility Handle

Material: Steel | Color/Finish: Chrome Plate

- Formed steel utility handle.
- Surface mounting design.
- Economically priced.
- Great for access panels, drawer pulls, etc.

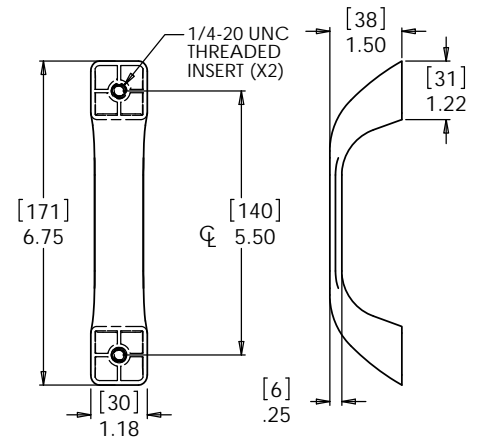


500-93350900

Plastic Utility Handle

Material: Plastic | Color/Finish: Black

- 1/4" -20 threaded brass insert for mounting.
- Durable plastic to withstand a wide temperature range

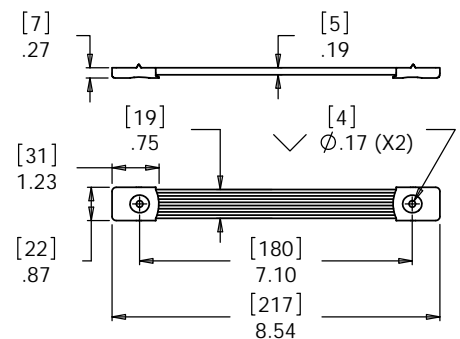
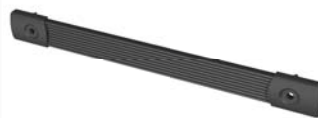


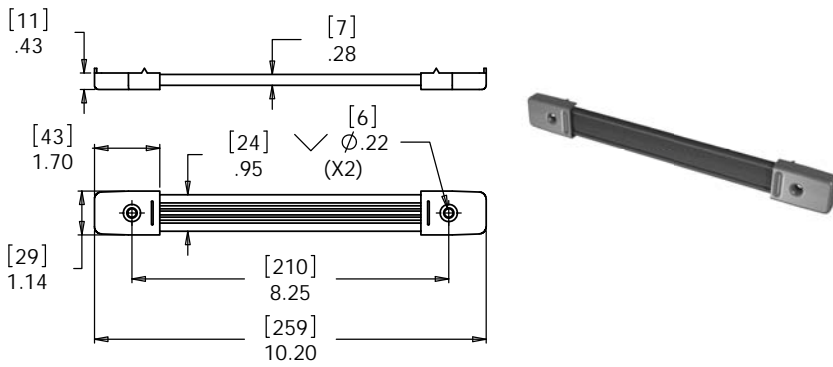
500-309900

Plastic Strap Handle

Material: Plastic | Color/Finish: Black

- Black rubber strap with black metal end caps.
- Tempered steel insert for added strength.
- Great for medium duty cases.



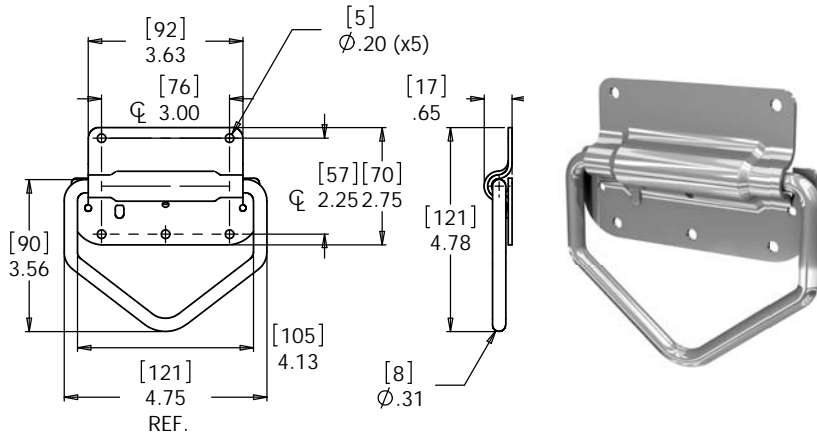


500-310801

Black Plastic Strap Handle

Material: Plastic/Steel | Color/Finish: Black/Nickel

- Industry standard black strap handle.
- Tempered steel insert for added strength.
- Great for medium duty cases.



514-2271805

Delta Tie-Down Grapple

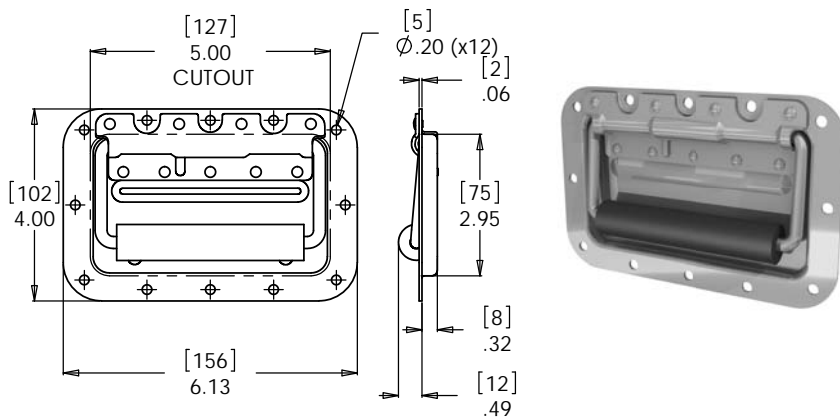
Material: Stainless Steel | Color/Finish: Bright

514-2271815

Material: Stainless Steel | Color/Finish: Black Oxide

- Spring loaded bail swings 180 degrees
- 5/16" diameter continuous looped bail
- Black oxide coating available as a special order item.

Recessed Handles

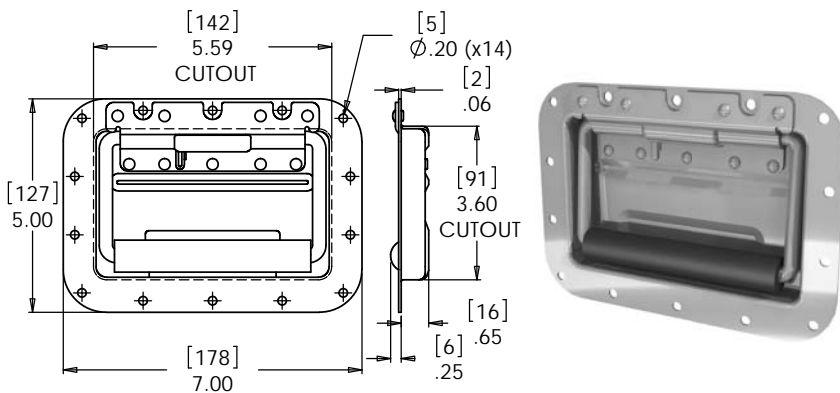


500-110800

Medium Recessed Handle

Material: Steel | Color/Finish: Zinc Plate

- Recessed plate provides for flush mounting of hardware.
- Bail stops at 90 degrees.
- Bail springs back into flat position when not in use.
- All surfaces completely pre-plated to prevent rust.
- 3/4" padded grip.

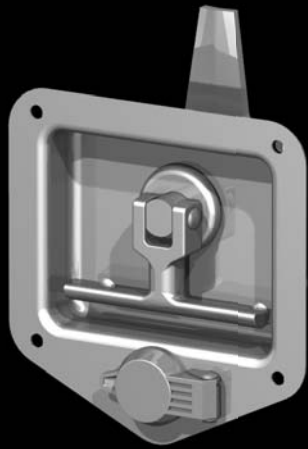


500-130800

Large Recessed Handle

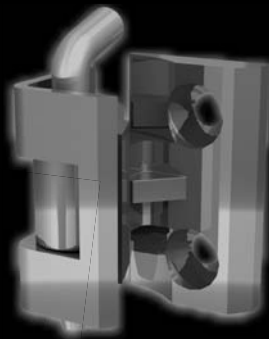
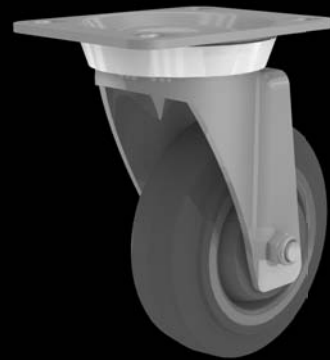
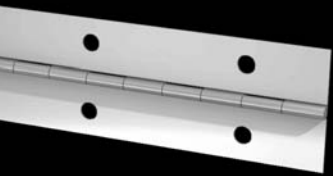
Material: Steel | Color/Finish: Zinc Plate

- Recessed plate provides for flush mounting of hardware.
- Bail stops at 90 degrees.
- Bail springs back into flat position when not in use.
- All surfaces completely pre-plated to prevent rust.
- 3/4" padded grip.



800.465.6281
www.tchweb.com
info@tchweb.com

Full TCH catalog available upon request



BUFFALO

TCH
 1370 William Street, Suite 4
 Buffalo NY 14206 U.S.A
 (716) 853-1986 Fax

DALLAS

TCH
 10552 King William Drive
 Dallas, TX 75220 U.S.A.
 (972) 556-9552 Fax

TORONTO

TCH
 40 Emblem Court
 Toronto, ON M1S 1B1 Canada
 (416) 299-3255 Fax